



# Sun Fire™ X2250 Server Service Manual

---

Sun Microsystems, Inc.  
[www.sun.com](http://www.sun.com)

Part No. 820-4593-12, Rev. A  
February 2010

Submit comments about this document by clicking the Feedback[+] link at: <http://docs.sun.com>

Copyright © 2010 Sun Microsystems, Inc., 4150 Network Circle, Santa Clara, California 95054, U.S.A. All rights reserved.

Sun Microsystems, Inc. has intellectual property rights relating to technology embodied in the product that is described in this document. In particular, and without limitation, these intellectual property rights may include one or more of the U.S. patents listed at <http://www.sun.com/patents> and one or more additional patents or pending patent applications in the U.S. and in other countries.

This distribution may include materials developed by third parties.

Parts of the product may be derived from Berkeley BSD systems, licensed from the University of California. UNIX is a registered trademark in the U.S. and in other countries, exclusively licensed through X/Open Company, Ltd.

Sun, Sun Microsystems, the Sun logo, Java, Solaris, Sun Fire, Sun Solve, Sun Service, and SunVTS are trademarks or registered trademarks of Sun Microsystems, Inc. in the U.S. and other countries.

Microsoft is a trademark or registered trademark of Microsoft Corporation or its subsidiaries in the United States and Other countries. Windows is a trademark or registered trademark of Microsoft Corporation or its subsidiaries in the United States and Other countries. Intel is a trademark or registered trademark of Intel Corporation or its subsidiaries in the United States and other countries. The Adobe logo is a registered trademark of Adobe Systems, Incorporated.

Use of any spare or replacement CPUs is limited to repair or one-for-one replacement of CPUs in products exported in compliance with U.S. export laws. Use of CPUs as product upgrades unless authorized by the U.S. Government is strictly prohibited.

DOCUMENTATION IS PROVIDED "AS IS" AND ALL EXPRESS OR IMPLIED CONDITIONS, REPRESENTATIONS AND WARRANTIES, INCLUDING ANY IMPLIED WARRANTY OF MERCHANTABILITY, FITNESS FOR A PARTICULAR PURPOSE OR NON-INFRINGEMENT, ARE DISCLAIMED, EXCEPT TO THE EXTENT THAT SUCH DISCLAIMERS ARE HELD TO BE LEGALLY INVALID.

---

Copyright © 2010 Sun Microsystems, Inc., 4150 Network Circle, Santa Clara, California 95054, Etats-Unis. Tous droits réservés.

Sun Microsystems, Inc. détient les droits de propriété intellectuelle relatifs à la technologie incorporée dans le produit qui est décrit dans ce document. En particulier, et ce sans limitation, ces droits de propriété intellectuelle peuvent inclure un ou plus des brevets américains listés à l'adresse <http://www.sun.com/patents> et un ou les brevets supplémentaires ou les applications de brevet en attente aux Etats - Unis et dans les autres pays.

Cette distribution peut comprendre des composants développés par des tierces parties.

Des parties de ce produit pourront être dérivées des systèmes Berkeley BSD licenciés par l'Université de Californie. UNIX est une marque déposée aux Etats-Unis et dans d'autres pays et licenciée exclusivement par X/Open Company, Ltd.

Sun, Sun Microsystems, le logo Sun, Java, Solaris, Sun Fire, Sun Solve, Sun Service, et SunVTS sont des marques de fabrique ou des marques déposées de Sun Microsystems, Inc. aux Etats-Unis et dans d'autres pays.

Microsoft sont est marques de fabrique ou des marques déposées de Microsoft Corporation ou de sa filiale aux Etats-Unis et dans d'autres pays. Windows est une marque de fabrique ou une marques déposée de Microsoft Corporation ou de sa filiale aux Etats-Unis et dans d'autres pays. Intel est une marque déposée ou marque déposée d'Intel Corporation ou ses filiales aux Etats-Unis et à d'autres pays. Le logo Adobe est une marque déposée de Adobe Systems, Incorporated.

L'utilisation de pieces detachees ou d'unités centrales de remplacement est limitée aux reparations ou a l'echange standard d'unités centrales pour les produits exportes, conformément a la legislation americaine en matiere d'exportation. Sauf autorisation par les autorités des Etats-Unis, l'utilisation d'unités centrales pour proceder a des mises a jour de produits est rigoureusement interdite.

LA DOCUMENTATION EST FOURNIE "EN L'ETAT" ET TOUTES AUTRES CONDITIONS, DECLARATIONS ET GARANTIES EXPRESSES OU TACITES SONT FORMELLEMENT EXCLUES, DANS LA MESURE AUTORISEE PAR LA LOI APPLICABLE, Y COMPRIS NOTAMMENT TOUTE GARANTIE IMPLICITE RELATIVE A LA QUALITE MARCHANDE, A L'APTITUDE A UNE UTILISATION PARTICULIERE OU A L'ABSENCE DE CONTREFAÇON.



Please  
Recycle



Adobe PostScript

# Contents

---

## **Preface ix**

## **1. Sun Fire X2250 Server Overview 1-1**

### 1.1 Features 1-2

### 1.2 Operating System and Software 1-2

#### 1.2.1 Preinstalled Software 1-3

#### 1.2.2 Supported Operating Systems 1-3

#### 1.2.3 Tools & Drivers CD Software 1-4

#### 1.2.4 System Management 1-4

### 1.3 Hardware System Overview 1-4

#### 1.3.1 Front and Rear Panels 1-4

#### 1.3.2 Internal Components 1-6

### 1.4 Powering On and Powering Off the Server 1-7

#### 1.4.1 Applying Standby Power for Initial Service Processor Configuration 1-7

#### 1.4.2 Powering On Main Power Mode 1-8

#### 1.4.3 Shutting Down Main Power Mode 1-8

#### 1.4.4 Clearing the CMOS 1-9

### 1.5 Customer-Orderable Components 1-9

## **2. Troubleshooting 2-1**

- 2.1 Troubleshooting Overview 2-2
- 2.2 Performing Visual Inspections 2-2
  - 2.2.1 Performing an External Visual Inspection 2-3
  - 2.2.2 Performing an Internal Visual Inspection 2-3
- 2.3 Troubleshooting Procedures 2-4
- 2.4 Getting Technical Assistance 2-7
- 3. Performing Diagnostics 3-1**
  - 3.1 Pc-Check Diagnostics Overview 3-2
    - 3.1.1 Accessing the Pc-Check Diagnostics Software 3-2
  - 3.2 System Information Menu Options 3-3
  - 3.3 Advanced Diagnostics Tests Menu Options 3-4
    - 3.3.1 Testing the Hard Disk 3-6
  - 3.4 Immediate Burn-in Testing 3-7
    - 3.4.1 Loading Scripts for Immediate Burn-in Testing 3-8
  - 3.5 Deferred Burn-in Testing 3-9
    - 3.5.1 Creating and Saving Scripts for Deferred Burn-in Testing 3-9
  - 3.6 Create Diagnostic Partition Option 3-10
    - 3.6.1 Removing Existing Partitions From a Hard Disk 3-11
    - 3.6.2 Adding a Diagnostic Partition to the First Bootable Disk 3-12
    - 3.6.3 Creating a Log File on the Diagnostic Partition 3-12
    - 3.6.4 Accessing the Diagnostic Partition on a Red Hat Linux System 3-13
    - 3.6.5 Accessing the Diagnostic Partition on the Solaris 10 Operating System 3-15
    - 3.6.6 Accessing the Diagnostic Partition on the Windows Server 2003 Operating System 3-16
  - 3.7 Show Results Summary 3-16
  - 3.8 Print Results Report 3-18
  - 3.9 About Pc-Check 3-18

3.10 Exit to DOS 3-18

**4. Maintaining the Sun Fire X2250 Server 4-1**

4.1 Tools and Supplies Needed 4-1

4.2 Installation Precautions 4-2

4.2.1 ESD Precautions 4-2

4.2.2 Preinstallation Instructions 4-2

4.2.3 Postinstallation Instructions 4-3

4.3 Powering Off the Server and Removing the Cover 4-3

4.4 Locations of Server Components 4-5

4.5 Component Replacement Procedures 4-6

4.5.1 Replacing the I/O Board 4-7

4.5.1.1 Removing the I/O Board 4-7

4.5.1.2 Installing the I/O Board 4-8

4.5.2 Replacing the PCIe Card and Riser Assembly 4-9

4.5.2.1 Removing the Riser Assembly and PCIe Card 4-10

4.5.2.2 Installing the PCIe Card and Riser Card Assembly 4-11

4.5.3 Replacing a Hard Disk Drive and Carrier 4-13

4.5.3.1 Removing an HDD and Carrier 4-13

4.5.3.2 Installing an HDD and Carrier 4-14

4.5.4 Replacing an HDD Backplane Assembly 4-15

4.5.4.1 Removing an HDD Backplane 4-15

4.5.4.2 Replacing an HDD Backplane 4-16

4.5.5 Removing and Installing the ODD Drive Assembly 4-18

4.5.5.1 Removing the ODD Drive Assembly 4-18

4.5.5.2 Installing the ODD Drive Assembly 4-19

4.5.6 Replacing the Air Duct 4-20

4.5.6.1 Removing the Air Duct 4-20

4.5.6.2 Installing the Air Duct 4-21

- 4.5.7 Replacing the Power Supply 4-22
  - 4.5.7.1 Removing the Power Supply 4-22
  - 4.5.7.2 Installing the Power Supply 4-23
- 4.5.8 Replacing the Single Fan Module 4-25
  - 4.5.8.1 Removing the Fan Module 4-25
  - 4.5.8.2 Installing the Fan Module 4-26
- 4.5.9 Replacing the Dual Blower Module 4-26
  - 4.5.9.1 Removing the Dual Blower Module 4-26
  - 4.5.9.2 Installing the Dual Blower Module 4-27
- 4.5.10 Replacing Memory Modules 4-28
  - 4.5.10.1 DIMM Population Rules 4-28
  - 4.5.10.2 Removing a DIMM 4-29
  - 4.5.10.3 Installing a DIMM 4-31
- 4.5.11 Replacing the System Battery 4-33
  - 4.5.11.1 Removing the System Battery 4-33
  - 4.5.11.2 Installing the System Battery 4-35
- 4.5.12 Replacing a CPU and Heatsink 4-36
  - 4.5.12.1 Removing a CPU and Heatsink 4-36
  - 4.5.12.2 Installing a Replacement CPU 4-38
- 4.5.13 Installing a New CPU 4-41
- 4.5.14 Replacing Cables 4-45
- 4.5.15 .Motherboard 4-46
  - 4.5.15.1 Removing the Motherboard 4-46
  - 4.5.15.2 Installing the Motherboard 4-47

## **A. System Specifications A-1**

- A.1 Physical Specifications A-1
- A.2 Power Specifications A-2
- A.3 Environmental Specifications A-3

A.4	Serial Connector Pin Assignments	A-4
<b>B.</b>	<b>Using the Tools &amp; Drivers CD</b>	<b>B-1</b>
B.1	Tools & Drivers CD Contents	B-1
B.2	Updating BIOS	B-2
B.2.1	Updating Sun Fire X2250 BIOS Using the DVD Drive	B-2
B.2.2	Updating Sun Fire X2250 BIOS From a Remote Client	B-3
B.3	Updating SP Firmware	B-4
B.3.1	ILOM CLI	B-4
B.3.1.1	Updating ILOM SP Firmware Using the CLI	B-4
B.3.2	ILOM Web Interface	B-5
B.3.2.1	Updating SP Firmware	B-5
B.4	Booting the Tools & Drivers CD From a PXE Server	B-7
B.4.1	Setting up the Tools & Drivers CD Image on the PXE Server	B-7
B.4.1.1	Setting Up the PXE Server	B-7
B.4.2	Accessing the Tools & Drivers CD From the Target Sun Fire X2250 Server	B-10
B.4.2.1	Accessing the Tools & Drivers CD From the Target Server	B-10
B.5	Intel PROSET Driver Software	B-11
B.5.1	Installing the Intel PROSET Driver Software	B-11
B.6	Updating FRU PROM When the System Mainboard is Replaced	B-11
<b>C.</b>	<b>Installing the Server Into a Rack With Optional Slide Rails</b>	<b>C-1</b>
C.1	Disassembling the Slide Rails Before Installation	C-2
C.2	Installing the Mounting Brackets Onto the Server	C-3
C.3	Attaching the Slide-Rail Assemblies to the Rack	C-4
C.4	Installing the Server Into the Slide-Rail Assemblies	C-7
C.5	Installing the Cable Management Assembly	C-9
C.6	Verifying Operation of the Slide Rails and CMA	C-16

## Index Index-1



# Preface

---

The *Sun Fire X2250 Server Service Manual* provides a detailed description of the hardware and software applications that support the Sun Fire™ X2250 server.

This book is intended for system administrators, network administrators, and service technicians who have an understanding of server hardware and software.

---

## How This Book Is Organized

[Chapter 1](#) provides an overview of the Sun Fire X2250 Server.

[Chapter 2](#) contains information about troubleshooting the server.

[Chapter 3](#) provides information about diagnostics.

[Chapter 4](#) describes how to remove and replace components.

[Appendix A](#) contains information on system specifications.

[Appendix B](#) provides information on using the Sun Fire X2250 server Tools & Drivers CD.

[Appendix C](#) describes how to instructions on install the server into a rack with optional slide rails.

---

# Typographic Conventions

Typeface*	Meaning	Examples
AaBbCc123	The names of commands, files, and directories; onscreen computer output	Edit your <code>.login</code> file. Use <code>ls -a</code> to list all files. % You have mail.
<b>AaBbCc123</b>	What you type, when contrasted with onscreen computer output	% <b>su</b> Password:
<i>AaBbCc123</i>	Book titles, new words or terms, words to be emphasized. Replace command-line variables with real names or values.	Read Chapter 6 in the <i>User's Guide</i> . These are called <i>class</i> options. You <i>must</i> be superuser to do this. To delete a file, type <code>rm filename</code> .

\* The settings on your browser might differ from these settings.

## Related Documentation

To view a list of documents that are available for the Sun Fire X2250 Server, see the *Sun Fire X2250 Server Getting Started Guide* (820-4590-10) sheet that is packed with your server and also posted at the product's documentation site. Go to the following URL, then navigate to the Sun Fire X2250 product documentation web site:

<http://docs.sun.com/app/docs/prod/sf.x2250>

Translated versions of some of these documents are available at the web site described above in French, Simplified Chinese, Traditional Chinese, Korean, and Japanese. English documentation is revised more frequently and might be more up-to-date than the translated documentation.

For Solaris and other software documentation, see the following URL:

<http://docs.sun.com>

---

# Support and Training

Sun Function	URL
Support	<a href="http://www.sun.com/support/">http://www.sun.com/support/</a>
Training	<a href="http://www.sun.com/training/">http://www.sun.com/training/</a>

---

---

## Product Updates

For product updates that you can download for the Sun Fire X2250 server, please visit the following web site:

<http://www.sun.com/download/>

Find the Hardware Drivers section and click x64 Servers & Workstations. The Sun Fire X2250 server site contains updates for firmware and drivers, as well as CD-ROM .iso images.

---

## Third-Party Web Sites

Sun is not responsible for the availability of third-party web sites mentioned in this document. Sun does not endorse and is not responsible or liable for any content, advertising, products, or other materials that are available on or through such sites or resources. Sun will not be responsible or liable for any actual or alleged damage or loss caused by or in connection with the use of or reliance on any such content, goods, or services that are available on or through such sites or resources.

---

# Warranty

For specific details regarding your warranty, visit:

<http://www.sun.com/service/support/warranty/index.html>

---

# Sun Welcomes Your Comments

Sun is interested in improving its documentation and welcomes your comments and suggestions. You can submit your comments by going to:

<http://www.sun.com/hwdocs/feedback/>

Please include the title and part number of your document with your feedback. The part number of this *Sun Fire X2250 Server Service Manual* is 820-4593-11.

# Sun Fire X2250 Server Overview

---

This chapter provides an overview of the Sun Fire X2250 server, as well as power-on and power-off procedures and information about installing components.

The following sections are included in this chapter:

- [Section 1.1, “Features” on page 1-2](#)
- [Section 1.2, “Operating System and Software” on page 1-2](#)
- [Section 1.3, “Hardware System Overview” on page 1-4](#)
- [Section 1.4, “Powering On and Powering Off the Server” on page 1-7](#)
- [Section 1.5, “Customer-Orderable Components” on page 1-9](#)

---

## 1.1 Features

TABLE 1-1 lists the system's key components.

TABLE 1-1 Sun Fire X2250 Server Features

Component	Description
CPUs	<ul style="list-style-type: none"><li>• Two dual-core Intel® Xeon series 5200 processors or two quad-core Intel Xeon series 5400 processors</li><li>• Processor frequencies: 2 GHz and faster</li><li>• Up to 12 MB level 2 cache</li></ul>
Memory	<ul style="list-style-type: none"><li>• Eight DIMM slots</li><li>• Each DIMM socket can support a 2 GB or 4 GB (667 MHz) fully-buffered DIMM module, or 2 GB or 4 GB (800 MHz) fully-buffered DIMM module</li><li>• Up to 32 GB total memory supported</li></ul>
Media storage	Optional DVD-ROM or DVD-RW
Hard disk drives	<ul style="list-style-type: none"><li>• Up to two optional hot-pluggable SATA disk drives: 250 GB, 500 GB, or 1 TB @ 7200 rpm</li><li>• Up to 2 TB maximum supported</li></ul>
Power supply	500W PSU 80% high-efficiency
Network I/O	Two 10/100/1000BASE-T Gigabit Ethernet ports
PCI I/O	PCI Express riser card with one 16-lane slot <a href="#">or one 16-lane slot or one 16-lane slot, supporting low-profile, half-length PCI-Express (PCIe) cards up to 25W</a>
Other I/O	<ul style="list-style-type: none"><li>• Five USB 2.0 connectors: two on the back panel, two on the front panel, and one internal</li><li>• Onboard 2D/3D graphics controller with HD15 connector</li><li>• One serial RS-232 port with RJ-45 connector</li></ul>
System management	Onboard IPMI 2.0 compliant service processor with Integrated Lights Out Manager (ILOM)

---

## 1.2 Operating System and Software

This section describes the operating system and additional software that is supported for the Sun Fire X2250 server.

## 1.2.1 Preinstalled Software

If you ordered a hard drive with your Sun Fire X2250 server, the hard drive might have the Solaris™ 10 Operating System preinstalled.

---

**Note** – The preinstalled Solaris 10 Operating System is a customer-orderable option.

---

For information on configuring a preinstalled operating system for the Sun Fire X2250 server, refer to the *Sun Fire X2250 Server Installation Guide* (820-4591).

For further information on the Solaris 10 OS, see the Solaris 10 OS documentation at:

<http://docs.sun.com>

## 1.2.2 Supported Operating Systems

The following operating systems (or later versions) are supported for the Sun Fire X2250 server:

- Solaris 10 Operating System (5/08 or later) with Sun Java Enterprise System (Java ES)
- Red Hat Enterprise Linux 4.6 and 5.1 32-bit and 64-bit (Enterprise Server and Advanced Server)
- SUSE Linux Enterprise Server 10, (SP 1 or later) 64-bit (SUSE-certified)
- Windows Server 2003 R2 32-bit and 64-bit (WHQL-certified)

See the *Sun Fire X2250 Operating System Installation Guide* (820-4592), and the product-specific documentation for instructions on installing these operating systems.

If you want to run Red Hat Enterprise Linux 4 or 5 or SUSE Linux Enterprise Server 10 on the Sun Fire X2250 server, you can order it from the from the following web site:

<http://www.sun.com/software/linux/index.html>

Support for additional operating systems will be available after the initial release of the Sun Fire X2250 servers. Go to the following URL for information about the operating systems currently supported:

<http://sun.com/servers/x64/X2250/os.jsp>

## 1.2.3 Tools & Drivers CD Software

The Sun Fire X2250 server Tools & Drivers CD, which is available separately with the optional Sun Fire X2250 media and documentation kit, contains drivers for operating system installation, Intel NIC and Intel RAID/AHCI drivers, BIOS/BMC flash utilities, diagnostics software, and Windows Remote Installation Service (RIS) files.

For more information on using the Tools & Drivers CD software, see [Appendix B](#).

## 1.2.4 System Management

An IPMI 2.0-compatible service processor with Integrated Lights Out Manager is located on the Sun Fire X2250 motherboard. See the *Sun Integrated Lights Out Manager 2.0 User's Guide (820-1188)* and the *Sun Integrated Lights Out Manager Supplement for Sun Fire X2250 Server (820-4596)* for more information on system management.

---

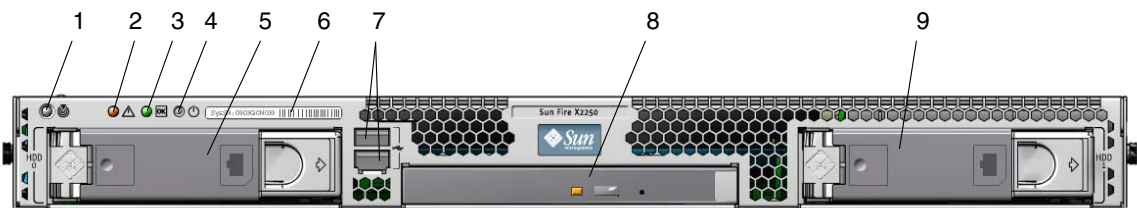
# 1.3 Hardware System Overview

The following sections describe the hardware orientation and features of your Sun Fire X2250 server.

## 1.3.1 Front and Rear Panels

[FIGURE 1-1](#) shows the front panel of the Sun Fire X2250 server.

**FIGURE 1-1** Front Panel



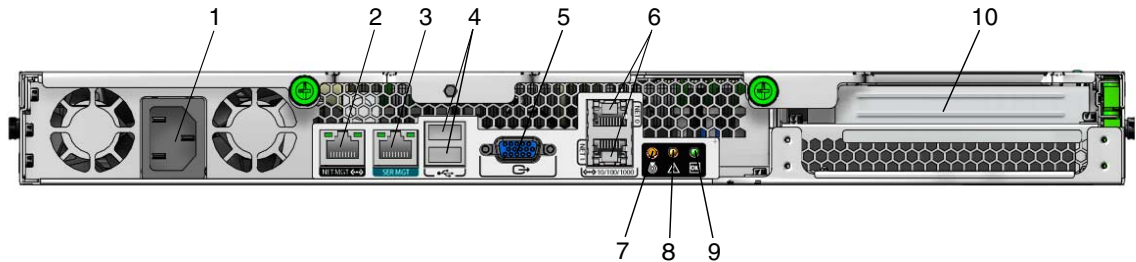


**TABLE 1-2** Front Panel

Label	Button/LED/Port	Label	Button/LED/Port
1	Locate LED/Switch	6	System serial label
2	Fault LED	7	USB 2.0 connectors (2)
3	Power/OK LED	8	Optional DVD drive
4	Power button	9	Optional SATA hard disk drive 1
5	Optional SATA hard disk drive 0		

**FIGURE 1-2** shows the back panel of the Sun Fire X2250 server.

**FIGURE 1-2** Back Panel



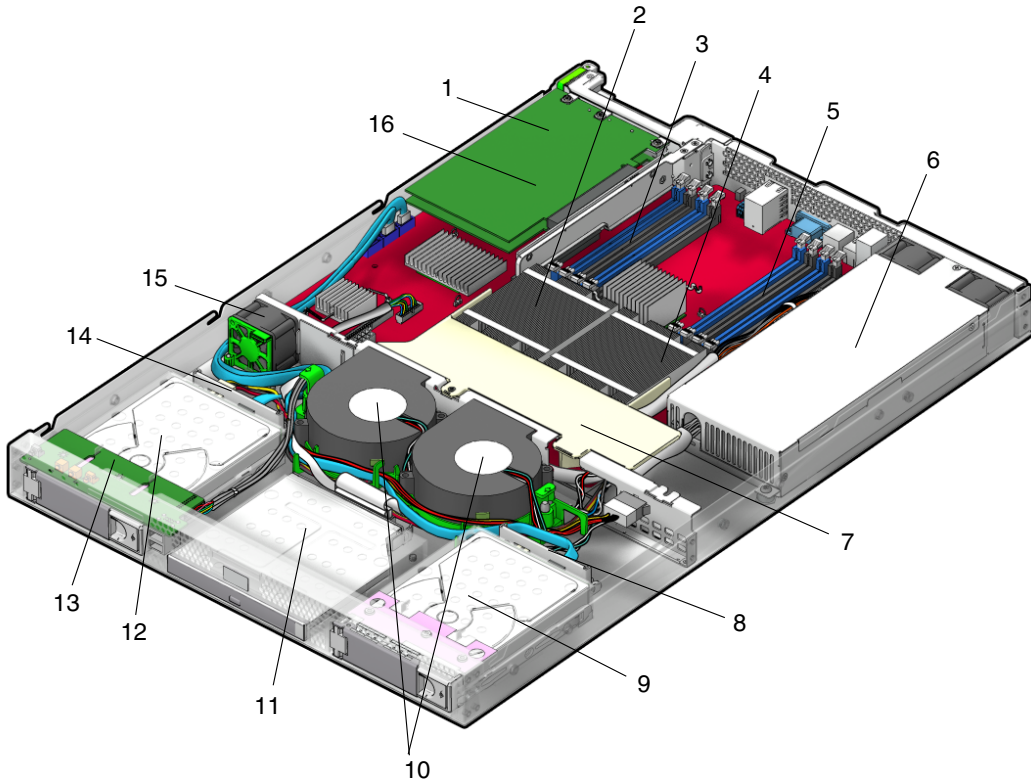
**TABLE 1-3** Back Panel

Label	Connector/Slot	Label	Connector/Slot
1	AC Power connector	6	Gigabit Ethernet ports (LAN-0 top, LAN-1 bottom)
2	Network Management (NET MGT) Ethernet port	7	Locate LED
3	Serial Management (SER MGT) / RS-232-F RJ-45 serial port	8	Fault LED
4	USB 2.0 connectors (2)	9	Power/OK LED
5	On-board HD15 video connector	10	PCI Express slot

## 1.3.2 Internal Components

**FIGURE 1-3** shows the locations of the components inside the Sun Fire X2250 server.

**FIGURE 1-3** Sun Fire X2250 Server System Components



**TABLE 1-4** Sun Fire X2250 Server Internal Components

Label	Component	Label	Component
1	PCI Express riser and card	9	Optional SATA hard drive 1
2	CPU 1	10	Dual blower module
3	DIMM slots (4)	11	Optional DVD drive
4	CPU 0	12	Optional SATA hard drive 0
5	DIMM slots (4)	13	I/O board
6	Power supply	14	HDD 0 backplane
7	Air duct	15	Single fan module
8	HDD 1 backplane	16	System battery (located under the PCI Express card)

---

## 1.4 Powering On and Powering Off the Server

You only need to apply standby power to the server at this point so that you can perform initial configuration of the service processor. Procedures for powering on to main power mode and for shutting down from main power mode are also included in this section, for your reference.

### 1.4.1 Applying Standby Power for Initial Service Processor Configuration

Use this procedure to apply standby power to the service processor (SP) before initial configuration.



---

**Caution** – Do not operate the server without all fans, component heatsinks, air baffles, and the cover installed. Severe damage to server components can occur if operated without adequate cooling mechanisms.

---

1. **Connect grounded AC power cords to the AC power connector on the back panel of the server and to a grounded AC power outlet.**

---

**Note** – At this point, standby power is supplied only to the service processor and power supply fans. Do not apply main power to the rest of the server until you are ready to install a platform operating system.

---

2. **Continue with initial software setup tasks, as described in *Sun Fire X2250 Server Installation Guide (820-4591)*.**

## 1.4.2 Powering On Main Power Mode

To power on main power for all server components:

1. **Verify that the power cord has been connected and that standby power is on.**  
In standby power mode, the Power/OK LED on the front panel flashes. See [FIGURE 1-1](#).
2. **Use a non-metallic stylus to press and release the recessed Power button on the server front panel.**

When main power is applied to the full server, the Power/OK LED next to the Power button lights and remains lit.

## 1.4.3 Shutting Down Main Power Mode

To power off the server from main power mode, use one of the following two methods:

- **Graceful shutdown:** Use a non-metallic stylus to press and release the Power button on the front panel. This causes Advanced Configuration and Power Interface (ACPI) enabled operating systems to perform an orderly shutdown of the operating system. Servers not running ACPI-enabled operating systems will shut down to standby power mode immediately.
- **Emergency shutdown:** Press and hold the Power button for four seconds to force the main power off and enter standby power mode. When the main power is off, the Power/OK LED on the front panel will begin flashing, indicating that the server is in standby power mode.



---

**Caution** – To completely power off the server, you must disconnect the AC power cords from the back panel of the server.

---

## 1.4.4 Clearing the CMOS

You can use this procedure to clear the server's CMOS settings in the case of a system hang.

For example, if the server hangs because of incorrect settings and will not boot, use this procedure to invalidate the settings and reboot with the default settings.

- 1. Remove the AC power cord.**

See [FIGURE 1-2](#) for the location of the power cord connection.

- 2. Remove the battery for 30 seconds, then reinsert it.**

See [Chapter 4](#) for instructions on removing and replacing the battery.

- 3. Reinsert the AC power cord.**

---

## 1.5 Customer-Orderable Components

You can order additional components and replacement parts for the Sun Fire X2250 server.

Contact your local Sun sales representative for more information. For the most up-to-date component information, see the components list on the following web site:

[http://sunsolve.sun.com/handbook\\_pub/Systems/](http://sunsolve.sun.com/handbook_pub/Systems/)



# Troubleshooting

---

This chapter contains information on troubleshooting procedures and technical support contacts.

The following sections are included in this chapter:

- [Section 2.1, “Troubleshooting Overview” on page 2-2](#)
- [Section 2.2, “Performing Visual Inspections” on page 2-2](#)
- [Section 2.3, “Troubleshooting Procedures” on page 2-4](#)
- [Section 2.4, “Getting Technical Assistance” on page 2-7](#)

---

## 2.1 Troubleshooting Overview

Before troubleshooting your specific server problem, answer the following questions:

- What events occurred prior to the failure?
- Was any hardware or software modified or installed?
- Was the server recently installed or moved?
- How long has the server exhibited symptoms?
- What is the duration or frequency of the problem?

After you have assessed the problem and noted your current configuration and environment, you can choose from several ways to troubleshoot your server:

- Visually inspect your system as described in [Section 2.2, “Performing Visual Inspections” on page 2-2](#).
- View the troubleshooting procedures in [Section 2.3, “Troubleshooting Procedures” on page 2-4](#) to see if any of them solve the problem.
- If the BIOS halts without displaying an error message, see the Port 80 LED for BIOS POST messages. [Appendix B](#) lists the descriptions of the BIOS POST codes.
- Execute a diagnostics test as described in [Chapter 3](#).
- If you are not able to resolve the problem, contact Sun technical support. Support contact information is provided in [Section 2.4, “Getting Technical Assistance” on page 2-7](#).

---

## 2.2 Performing Visual Inspections

Improperly set controls and loose or improperly connected cables are common causes of problems with hardware components. When investigating a system problem, first check all the external switches, controls, and cable connections. See [Section 2.2.1, “Performing an External Visual Inspection” on page 2-3](#).

If this does not resolve your problem, then visually inspect the system’s interior hardware for problems, such as a loose card, cable connector, or mounting screw. See [Section 2.2.2, “Performing an Internal Visual Inspection” on page 2-3](#).



## 2.2.1 Performing an External Visual Inspection

1. Turn off the system and any attached peripherals (if applicable).
2. Verify that all power cables are properly connected to the system, the monitor, and the peripherals, and check their power sources.
3. Inspect connections to any attached devices, including network cables, keyboard, monitor, and mouse, as well as any devices attached to the serial port.

## 2.2.2 Performing an Internal Visual Inspection

1. Shut down the operating system, if necessary.
2. Disconnect the power cord from the back of the system.
3. Turn off any attached peripherals.
4. Remove the server cover, following the precautions and procedures in [Section 4.2, “Installation Precautions”](#) on page 4-2.



---

**Caution** – Some components, such as the heatsink, can become extremely hot during system operations. Allow these components to cool before handling them.

---

5. Verify that the components are fully seated in their sockets or connectors and that the sockets are clean.
6. Verify that all cables inside the system are firmly attached to their appropriate connectors.
7. Replace the top cover.
8. Reconnect the system and any attached peripherals to their power sources, and then power them on.

## 2.3 Troubleshooting Procedures

TABLE 2-1 lists problems that might arise as you use your server. Possible solutions are listed for each problem. If the solutions listed here do not fix the problem, run the appropriate diagnostic test (see [Chapter 3](#)).

**TABLE 2-1** Troubleshooting Procedures

<b>Problem</b>	<b>Possible solution</b>
Server does not power on when you press the front panel Power button.	Keep notes on the following situations in case you need to call Sun service: <ul style="list-style-type: none"><li>• Is the Power/OK LED illuminated on the front of the system? (Ensure that the power cord is connected to the system and to a grounded power receptacle.)</li><li>• Does the wall outlet have power? Test by connecting another device.</li><li>• Does the monitor sync within 1-2 minutes after power on? (The green LED on the monitor stops flashing and remains illuminated.)</li></ul>
Server powers on, but the monitor does not.	<ul style="list-style-type: none"><li>• Is the Power button for the monitor turned on?</li><li>• Is the monitor power cord connected to a wall outlet?</li><li>• Does the wall outlet have power? Test by connecting another device.</li></ul>
CD or DVD does not eject from the media tray when you press the Eject button.	<ul style="list-style-type: none"><li>• Move the mouse or press any key on the keyboard. The drive might be in the low power mode.</li><li>• Use the utility software installed on your server to eject the CD.</li><li>• Ensure that the media in the device is not in use and is not mounted by the operating system.</li></ul>
Server does not power off when the front panel Power button is pressed.	<ul style="list-style-type: none"><li>• Try all of the power-off options shown in <a href="#">Section 1.4.3, “Shutting Down Main Power Mode”</a> on page 1-8.</li><li>• If the server still does not power off, disconnect the power cable from the rear of the chassis.</li></ul>
The network status indicator does not light up.	<ul style="list-style-type: none"><li>• Check the cabling and network equipment to verify that all cables are correctly seated.</li><li>• Reinstall the network drivers.</li></ul>
An external device connected to a USB connector does not work.	<ul style="list-style-type: none"><li>• Reduce the number of external devices connected to a USB hub.</li><li>• Refer to the documentation that comes with the device.</li></ul>

**TABLE 2-1** Troubleshooting Procedures (Continued)

<b>Problem</b>	<b>Possible solution</b>
System cannot read the hard disk information.	Do the following: <ol style="list-style-type: none"><li>1. Turn off the server by pressing the Power button.</li><li>2. Remove the top cover.</li><li>3. Verify that the power and data cables are connected to the disk drive and that the pins in the cable and connector are not bent.</li><li>4. Verify that the drives are cabled properly to the hard drive. See <a href="#">Chapter 4</a> for information on hard drive cabling.</li><li>5. Replace the top cover.</li><li>6. Turn on the server.</li></ol>
System cannot read the CD information.	Check the following: <ul style="list-style-type: none"><li>• Are you using the correct type of CD?</li><li>• Is the CD properly inserted into the drive?</li><li>• Is the CD clean and unscratched?</li><li>• Are the cables connected to the DVD-ROM drive?</li></ul>
Keyboard or mouse does not respond to action.	<ul style="list-style-type: none"><li>• Verify that the mouse and keyboard cables are connected to the on-board USB 2.0 connectors on the server.</li><li>• Verify that the server is powered on and that the front Power/OK LED is illuminated.</li></ul>
Server appears to be in low power mode, but the Power/OK LED does not blink.	The Power/OK LED only blinks when all server components are in low power mode. A tape drive might be connected to your server. Because tape drives do not enter low power mode, the Power/OK LED does not blink.
Server is hung or frozen: No response from mouse or keyboard or any application.	Try to access your system from a different server on the network: <ol style="list-style-type: none"><li>1. On another system, type <b>ping</b> <i>IP_address_of_X2250</i></li><li>2. If a response is returned, then try logging in to the Sun Fire X2250 server using either <code>telnet</code>, <code>ssh</code>, or <code>rlogin</code>.</li><li>3. If you successfully log in, list the running processes using the <b>ps</b> command.</li><li>4. Kill any processes that appear unresponsive or should not be running, by using the <b>kill</b> <i>process_ID</i> command.</li><li>5. Check the responsiveness of the Sun Fire X2250 server after each process is killed.</li></ol> If the above procedure does not work, power cycle the server: <ol style="list-style-type: none"><li>1. Press the Power button to power off the server and wait 20 to 30 seconds.</li><li>2. Press the Power button again to power on the system.</li></ol>

**TABLE 2-1** Troubleshooting Procedures (Continued)

<b>Problem</b>	<b>Possible solution</b>
No video is displayed on the monitor screen.	<p>Check the following:</p> <ul style="list-style-type: none"><li>• Is the monitor cable connected to the video connector?</li><li>• Does the monitor work when connected to another system?</li><li>• If you have another monitor, does it work when connected to the original system?</li><li>• If, after POST and BIOS complete, you no longer see video output on your monitor and only see a flashing cursor, check the configuration of the operating system to determine if it is configured to redirect its output exclusively over the serial line.</li></ul>
External device is not working.	<ul style="list-style-type: none"><li>• Check the documentation that came with the device to see if any device drivers must be installed.</li><li>• Verify that the cables for the external device are firmly connected and that the pins in the cable and connector are not bent.</li><li>• Power off the system, reattach the external device, and power on the system.</li></ul>
Newly installed memory is not detected.	<ul style="list-style-type: none"><li>• Verify that the memory is properly seated in the DIMM sockets.</li><li>• Move the memory to the another DIMM socket to determine whether the socket is defective.</li><li>• Verify that you are using 2 GB or 4 GB (667-MHz) fully-buffered DIMM modules with 3.05 cm max. height.</li><li>• Verify that the memory modules are installed in pairs.</li></ul>

---

## 2.4 Getting Technical Assistance

If the troubleshooting procedures in this chapter fail to solve your problem, see [TABLE 2-2](#), which lists the Sun web sites and telephone numbers for additional technical support.

**TABLE 2-2** Sun Web Sites and Telephone Numbers

Server Documents and Support Resources	URL or Telephone Number
PDF files for all the current Sun Fire X2250 server documents.	<a href="http://docs.sun.com/app/docs/prod/sf.x2250">http://docs.sun.com/app/docs/prod/sf.x2250</a>
Solaris and other software documents. This web site has full search capabilities.	<a href="http://docs.sun.com">http://docs.sun.com</a>
Discussion and troubleshooting forums.	<a href="http://supportforum.sun.com/">http://supportforum.sun.com/</a>
Support, diagnostic tools, and alerts for all Sun products.	<a href="http://www.sun.com/bigadmin/">http://www.sun.com/bigadmin/</a>
SunSolve <sup>SM</sup> web site. Contains links to software patches. Lists some system specifications, troubleshooting and maintenance information, and other tools.	<a href="http://www.sunsolve.sun.com/handbook_pub/">http://www.sunsolve.sun.com/handbook_pub/</a>
Service support phone numbers.	1-800-872-4786 (1-800-USA-4Sun), Select Option 1.
International telephone numbers for Sun support.	<a href="http://www.sun.com/service/contacting/solution.html">http://www.sun.com/service/contacting/solution.html</a>
Warranty and contract support contacts. Links to other service tools.	<a href="http://www.sun.com/service/online/">http://www.sun.com/service/online/</a>
Warranties for every Sun product.	<a href="http://www.sun.com/service/support/warranty">http://www.sun.com/service/support/warranty</a>



## Performing Diagnostics

---

This chapter assists you with using the Diagnostics application on the Sun Fire X2250 Server Tools & Drivers CD. The Tools & Drivers CD is available separately with the optional Sun Fire X2250 media and documentation kit. For more information on using the Tools & Drivers CD software, see [Appendix B](#).

Diagnostic output is accessible on systems that are running supported Linux or Solaris operating systems. To view diagnostic output on a Windows system, you must use a USB diskette drive attached to your server. For information, see [Section 3.6.6, “Accessing the Diagnostic Partition on the Windows Server 2003 Operating System”](#) on page 3-16.

If you are having specific problems with your system, use the Pc-Check Diagnostics software to diagnose and resolve these issues.

The following sections are included in this chapter:

- [Section 3.1, “Pc-Check Diagnostics Overview”](#) on page 3-2
- [Section 3.2, “System Information Menu Options”](#) on page 3-3
- [Section 3.3, “Advanced Diagnostics Tests Menu Options”](#) on page 3-4
- [Section 3.4, “Immediate Burn-in Testing”](#) on page 3-7
- [Section 3.5, “Deferred Burn-in Testing”](#) on page 3-9
- [Section 3.6, “Create Diagnostic Partition Option”](#) on page 3-10
- [Section 3.7, “Show Results Summary”](#) on page 3-16
- [Section 3.8, “Print Results Report”](#) on page 3-18
- [Section 3.9, “About Pc-Check”](#) on page 3-18
- [Section 3.10, “Exit to DOS”](#) on page 3-18

---

## 3.1 Pc-Check Diagnostics Overview

Sun Fire X2250 server diagnostics are contained in the DOS-based Pc-Check utility. This program can be accessed and executed only from the Sun Fire X2250 Server Tools & Drivers CD. Pc-Check was designed to detect and test all motherboard components, ports, and slots.

If you encounter any hardware-related error message (such as memory errors or hard disk errors) on your Sun Fire X2250 server, run one of the following:

- Advanced Diagnostics Test: A specific hardware component test
- Immediate Burn-in Test: A Sun Fire X2250 server diagnostic test script

The following procedure describes how to access these test options from the Sun Fire X2250 Server Tools & Drivers CD.

### 3.1.1 Accessing the Pc-Check Diagnostics Software

**1. Do one of the following, depending on which method you are using to access the Pc-Check diagnostics software:**

- *If your server has a DVD drive installed:* Insert the Sun Fire X2250 Server Tools & Drivers CD into your DVD drive and reboot the system.
- *If you are running the Pc-Check software from a PXE server:* Follow the instructions in [Appendix B](#) to set up the PXE server.

The system boots to the Sun Fire X2250 Server Tools & Drivers CD main menu.

**2. Type 1 to run the hardware diagnostics software.**

The system information loads, the Diagnostics main menu opens, and the following menu options are displayed:

- System Information Menu
- Advanced Diagnostics Tests
- Immediate Burn-in Testing
- Deferred Burn-in Testing
- Create Diagnostic Partition
- Show Results Summary
- Print Results Report
- About PC-CHECK
- Exit to DOS



To run a specific hardware component test, select **Advanced Diagnostics Test**. To run one of the test scripts supplied by Sun, select **Immediate Burn-in Testing**.

Navigate through the menu items by pressing the arrow keys located on the keyboard to move to a menu selection, the Enter key to select a menu selection, and the ESC key to exit a menu. Navigation instructions are shown at the bottom of each screen.

The following sections in this chapter describe the menu items and tests in detail.

---

## 3.2 System Information Menu Options

TABLE 3-1 describes each option in the System Information menu.

**TABLE 3-1** System Information Menu Options

Option	Description
System Overview	Includes basic information about your system, motherboard, BIOS, processor, memory cache, drives, video, modem, network, buses, and ports.
Hardware ID Image	Enables you to create a document showing information about your system, including comparisons between the updates and the newest versions of your system. XML is the format used to create and display this information, though you can also choose a text format (.txt) as well.
System Management Information	Provides information obtained from the system about the BIOS type, system, motherboard, enclosure, processors, memory modules, cache, slots, system event log, memory array, memory devices, memory device mapped addresses, and system boot.
PCI Bus Information	Includes details about specific devices from <code>pci-config</code> space within the system, similar to the System Management Information section.
IDE Bus Information	Shows the master/slave devices on the primary and secondary IDE controllers.
PCMCIA/CardBus Info	Not applicable for the Sun Fire X2250 server.
Interrupt Vectors	Lists and details device interrupt vector information.
IRQ Information	Shows hardware interrupt assignments.
Device Drivers	Shows device drivers loaded under Open DOS.

**TABLE 3-1** System Information Menu Options *(Continued)*

<b>Option</b>	<b>Description</b>
APM Information	Tests the Advanced Power Management (APM) capabilities of the system. You can choose to change the power state, view the power status, indicate CPU usage, get a PM event, or change the interface mode.
I/O Port Browser	Shows the I/O port assignment for the hardware devices on the system.
Memory Browser	Enables you to view the mapped memory for the entire system.
Sector Browser	Reads sector information from the hard disks and DVD disks sector by sector.
CPU Frequency Monitor	Tests the processor speed.
CMOS RAM Utilities	Shows the CMOS settings of the system.
SCSI Utilities	Not applicable for the Sun Fire X2250 server.
Text File Editor	Opens a file editor.
Start-Up Options	Enables you to set up options for diagnostics testing.

## 3.3 Advanced Diagnostics Tests Menu Options

[TABLE 3-2](#) gives the name and a brief description of each option in the Advanced Diagnostics Tests menu.

**TABLE 3-2** Advanced Diagnostics Tests Menu Options

<b>Option</b>	<b>Description</b>
Processor	Details information about the processor, and includes a Processor Tests menu to test the processor on the system.
Memory	Details information about the memory, and includes a Memory Tests menu to test the memory on the system. Also lists each type of memory in the system, such as system, cache, or video memory.
Motherboard	Details information about the motherboard, and includes a Motherboard Tests menu to test the motherboard on the system.

**TABLE 3-2** Advanced Diagnostics Tests Menu Options (*Continued*)

<b>Option</b>	<b>Description</b>
Diskettes	Not applicable for the Sun Fire X2250 server.
Hard Disks	Details information about the hard disk, and includes a Hard Disk Tests menu to test hard disks on the system. Refer to <a href="#">Section 3.3.1, “Testing the Hard Disk”</a> on page 3-6, for detailed information about testing hard disks and script information.
CD-ROM/DVD	Includes a CD-ROM/DVD menu to test DVD devices on the system.
ATAPI Devices	Details information about devices attached to the IDE controllers on the system other than a DVD or hard disks (for example, zip drives).
Serial Ports	Details information about the serial port, and includes a Serial Ports Tests menu to test serial ports on the system.
Parallel Ports	Not applicable for the Sun Fire X2250 server.
Modems	Not applicable for the Sun Fire X2250 server.
ATA	Includes an Advanced Technology Attachment (ATA) test menu.
USB	Details information about the USB devices on the system, and includes a USB Tests menu to test the USB.
FireWire	Not applicable for the Sun Fire X2250 server.
Network	Performs network register controller tests.
Keyboard	Includes a Keyboard Test menu with options for performing different tests on the keyboard.
Mouse	Details information about the mouse, and includes a menu to test the mouse on the system.
Joystick	Not applicable for the Sun Fire X2250 server.
Audio	Not applicable for the Sun Fire X2250 server.
Video	Details information about the video card. Initially, the monitor might flicker, but then it brings up a Video Test Options menu that enables you to perform various video tests.
Printers	Printers are not available for the Sun Fire X2250 server.
Firmware - ACPI	Details information about Advanced Configurable Power Interface (ACPI), and includes an ACPI Tests menu to test ACPI.

## 3.3.1 Testing the Hard Disk

1. From the main menu, choose **Advanced Diagnostics Tests**.
2. From the **Advanced Diagnostics** menu, choose **Hard Disks**.
3. From the **Select Drive** menu, choose the hard disk you are testing.

The Hard Disk Diagnostics window opens, showing both the information for the hard disk you have selected and the Hard Disk Tests menu.

The Hard Disk Tests menu displays the following options:

- Select Drive
- Test Settings
- Read Test
- Read Verify Test
- Non-Destructive Write Test
- Destructive Write Test
- Mechanics Stress Test
- Internal Cache Test
- View Error Log
- Utilities Menu
- Exit

The Media Test options include the Read Test, the Read Verify Test, the Non-Destructive Write Test, and the Destructive Write Test. These tests are relevant to testing the media associated with the hard drive hardware, such as the physical disk.



---

**Caution** – Running the Destructive Write Test destroys any data that is on the disk.

---

The Device Test options include the Mechanics Stress Test and the Internal Cache Test. These tests are relevant to testing non-media-related devices associated with the hard drive hardware, such as the head and internal cache.

In addition to choosing any of these tests, you can also define several parameters of the test.

You can change the parameters within the Test Settings option. Your options within Test Settings include the following:

- **Media Test Settings**

Enables you to select the test time duration, the percentage of the hard disk to test, and the sectors to be tested on the hard disk.

- **Device Test Settings**

Enables you to select the test time durations of the devices and the test level.
- **Number of Retries**

Enables you to select the number of times to retry testing a device before terminating the test.
- **Maximum Errors**

Enables you to select the number of errors allowed before terminating the test.
- **Check SMART First**

SMART stands for Smart Monitoring Analysis Reporting Test.
- **HPA Protection**

HPA stands for Host Protected Area.
- **Exit**

---

## 3.4 Immediate Burn-in Testing

The Immediate Burn-In Testing option enables you to run burn-in test scripts on your server. Three scripts have already been created for testing your system:

- `quick.tst` – This script performs a high level test of all hardware components, including those components that require user input, as well as a more in-depth memory test. The user must interact with the Pc-Check software to progress through these interactive tests. The tests cannot be run unattended and do not contain "timeout" facilities. The interactive tests will wait until the user provides the correct input.
- `noinput.tst` – This script is used as a first triage of any hardware-related problems or issues. The script performs a high level test of most hardware components, excluding those components that require user input (keyboard, mouse, sound, video). This test does not require user input.
- `full.tst` – This script performs the most detailed and comprehensive test on all hardware components, including those components that require user input. This script contains a more in-depth memory test than `quick.tst`, as well as external port tests (which may require loopback connectors). The user must interact with the test utility to progress through these interactive tests.

---

**Tip** – Each of these scripts tests the operating status of your entire system. If you want to test only a certain percentage of your system's hard drives, refer to [Section 3.3.1, "Testing the Hard Disk" on page 3-6](#) to change the test options.

---

When you select the Immediate Burn-in Testing menu option, the Continuous Burn-in Testing window is displayed. The screen includes the list of options shown in [TABLE 3-3](#) for running the tests. When a `quick.tst`, `noinput.tst`, or `full.tst` script is loaded, the defaults indicated in the third column are automatically loaded.

**TABLE 3-3** Continuous Burn-in Testing Options

<b>Option</b>	<b>Default – General</b>	<b>Default Using quick.tst, noinput.tst, or full.tst Script</b>	<b>All Possible Choices</b>
Pass Control	Overall Time	Overall Passes	Individual Passes, Overall Passes, or Overall Time
Duration	01:00	1	Any number to designates the time duration of the test
Script File	N/A	quick.tst, noinput.tst, or full.tst	quick.tst, noinput.tst, or full.tst
Report File	None	None	User-defined
Journal File	None	D:\noinput.jrl, D:\quick.jrl, or D:\full.jrl	User-defined
Journal Options	Failed Tests	All Tests, Absent Devices, and Test Summary	Failed Tests, All Tests, Absent Devices, and Test Summary
Pause on Error	N	N	Y or N
Screen Display	Control Panel	Control Panel	Control Panel or Running Tests
POST Card	N	N	Y or N
Beep Codes	N	N	Y or N
Maximum Fails	Disabled	Disabled	1-9999

### 3.4.1 Loading Scripts for Immediate Burn-in Testing

To load one of the scripts available to test the devices on your system, do the following:

1. From the main menu, choose **Immediate Burn-in Testing**.

The top portion of the window lists the options described in [TABLE 3-3](#), and the bottom portion of the window lists the Burn-in menu options.

2. Complete one of the following options:

- **Load Burn-in Script**

Enter one of the following:

- **quick.tst**, **noinput.tst**, or **full.tst**

- If you have created and saved your own script, enter **d:\testname.tst**

Where *testname* is the name of the script that you have created.

- **Save Burn-in Script**

To save a burn-in script that you have created, enter **d:\testname.tst**

Where *testname* is the name of the script that you have created.

- **Change Options**

Opens the Burn-in Options menu, which enables you to modify the various options listed in [TABLE 3-3](#) for the currently loaded test script.

- **Select Tests**

Opens a listing of the tests available for your server configuration and the currently loaded test script.

- **Perform Burn-in Tests**

Runs the currently loaded burn-in test script.

---

## 3.5 Deferred Burn-in Testing

You can use the Deferred Burn-in Testing option to create and save your own scripts to run at a later time.

### 3.5.1 Creating and Saving Scripts for Deferred Burn-in Testing

1. From the main menu, choose **Deferred Burn-in Testing**.

The top portion of the window lists the options described in [TABLE 3-3](#), and the bottom portion of the window lists the Burn-in menu options.

## 2. Complete one of the following options:

### ■ Load Burn-in Script

Enter one of the following:

- **quick.tst**, **noinput.tst**, or **full.tst**

- If you have created and saved your own script, enter **d:\testname.tst**

Where *testname* is the name that you have created.

### ■ Save Burn-in Script

To save a burn-in script that you have created, enter **d:\testname.tst**

Where *testname* is the name of the script that you have created.

### ■ Change Options

Opens the Burn-in Options menu, which enables you to modify the various options listed in [TABLE 3-3](#) for the currently loaded test script.

### ■ Select Tests

Opens a listing of all the possible types of tests available for you to run for the currently loaded test script.

---

## 3.6 Create Diagnostic Partition Option

The diagnostic partition is preinstalled on the Sun Fire X2250 server. You need to reinstall the diagnostic partition only if you have reformatted your hard drive. Using the Erase Primary Boot Hard Disk utility on the Sun Fire X2250 Server Tools & Drivers CD preserves the diagnostic partition.

The Create Diagnostic Partition option installs a diagnostic partition on the first bootable disk seen by the Sun Fire X2250 server. The first bootable disk is on the primary/master SATA device.

---

**Note** – If you are running the Pc-Check Diagnostics software from a PXE server, you do not need to follow the instructions in these procedures for inserting the Tools & Drivers CD into the DVD tray. See [Section B.4, “Booting the Tools & Drivers CD From a PXE Server”](#) on page B-7.

---

The following sections explain how to create and access the diagnostic partition on the Sun Fire X2250 server:

- [Section 3.6.1, “Removing Existing Partitions From a Hard Disk”](#) on page 3-11
- [Section 3.6.2, “Adding a Diagnostic Partition to the First Bootable Disk”](#) on page 3-12



- Section 3.6.3, “Creating a Log File on the Diagnostic Partition” on page 3-12
- Section 3.6.4, “Accessing the Diagnostic Partition on a Red Hat Linux System” on page 3-13
- Section 3.6.5, “Accessing the Diagnostic Partition on the Solaris 10 Operating System” on page 3-15
- Section 3.6.6, “Accessing the Diagnostic Partition on the Windows Server 2003 Operating System” on page 3-16

## 3.6.1 Removing Existing Partitions From a Hard Disk

The Create Diagnostic Partition option creates a diagnostic partition on a hard disk only if that hard disk is completely free of any partitions. You need to delete any existing partitions from a hard disk if you plan to use the hard disk to create a diagnostic partition on it.




---

**Caution** – Removing all hard disk partitions destroys all data on the disk.

---

There are two ways to remove existing partitions from the hard disk:

- Use the Erase Primary Boot Hard Disk utility (Option 3 on the Tools & Drivers CD main menu).
- Use the following procedure:

1. **Insert the Tools & Drivers CD into the DVD tray.**
2. **Reboot the server.**
3. **From the Tools & Drivers CD main menu, type 4 to exit to DOS.**
4. **Type `fdisk` at the command prompt, and press the Enter key.**
5. **Type 4 to select an alternate fixed disk.**

The second hard disk as seen from `fdisk` is the first bootable disk of the system. The first hard disk as seen from `fdisk` is the bootable Tools & Drivers CD.




---

**Caution** – When performing the following tests, be careful not to delete any operating system partitions that you want to keep. Removing hard disk partitions destroys all data on the disk.

---

6. **Type 2 to delete the DOS partition.**
7. **Type 1 or 2 depending on the type of partition you want to delete.**
8. **Type the number of the partition you want to delete.**

9. Type **Y** to erase the data and the partition.
10. Repeat [Step 6](#) through [Step 9](#) until all partitions have been deleted.
11. Press the Esc key to exit, and press any key to reboot the server.

## 3.6.2 Adding a Diagnostic Partition to the First Bootable Disk

Pc-Check can view only the first or second hard disk on the system from the boot loader. The software automatically installs the diagnostic partition on the first bootable disk.

To add the diagnostic partition on the first bootable disk:

1. Insert the Tools & Drivers CD into the DVD tray.
2. Reboot the server.
3. At the Tools & Drivers CD main menu, type **1** to run Hardware Diagnostics.
4. From the main menu, choose **Create Diagnostic Partition**.
  - If the first bootable disk is clear of partitions, the Sun Microsystems Partitioning Utility window appears. It states: “Your primary hard disk is not partitioned. Would you like to partition it now?”
    - **Select Yes and press Enter.**
    - A window appears, stating, “Partitioning complete. Your machine will now be restarted.”
  - If the first bootable disk is not clear of partitions, a window appears stating that the software is unable to create a hardware diagnostic partition because there are already partitions on the disk.
    - **If this happens, go to [Section 3.6.1](#), “[Removing Existing Partitions From a Hard Disk](#)” on page 3-11 to remove the partitions from the disk.**
    - Repeat [Step 1](#) through [Step 4](#) of this procedure.
5. Press Enter to reboot your server.

## 3.6.3 Creating a Log File on the Diagnostic Partition

All the scripts that are loadable with the hardware diagnostics software are predefined, with logging to the diagnostic partition enabled. The names of log files correspond to the name of the script. For example, a script named `noinput.tst` creates a log file named `noinput.jrl`.

The following procedure shows an example of how to create and access a log file on the diagnostic partition for the `noinput.tst` script.

1. **Insert the Tools & Drivers CD into the DVD tray.**
2. **Reboot the server.**
3. **From the Tools & Drivers CD main menu, choose 1 to run Hardware Diagnostics.**
4. **From the Hardware Diagnostics main menu, choose Immediate Burn-In Testing.**
5. **Select Load Burn-in Script.**
6. **Type `noinput.tst` and press Enter.**  
If you are using a test you have created yourself, you need to enter `d:\testname.tst` into the Load Burn-in Script field, where *testname* is the name of the test you have created.
7. **Select Perform Burn-in Tests to run the script.**
8. **When the tests are complete, press the Esc key to exit the Display Results window.**
9. **Select Exit to DOS and press Enter.**
10. **At the DOS prompt, type the following:**

```
C:> d:
```

11. **Type the following to list the contents of the diagnostic partition.:**

```
D:> dir
```

The `noinput.jr1` log is displayed.

## 3.6.4 Accessing the Diagnostic Partition on a Red Hat Linux System

To access the diagnostic partition on a Red Hat Linux operating system:

1. **Remove the Tools & Drivers CD from the DVD tray.**
2. **Reboot the server and start the Red Hat Linux operating system.**
3. **Log in as root (superuser).**

4. Determine if your diagnostic partition has been configured to be mounted by typing the following command:

```
# ls /diagpart
```

- If this command fails to list the log files created by the hardware diagnostics software, then the operating system has never been configured to mount the diagnostic partition. Continue to [Step 5](#).
- If this command succeeds in listing the log files created by the hardware diagnostics software, then the operating system has already been configured to mount the diagnostic partition. All users have read access to this partition. Only the superuser has read/write access to this partition. You do not need to continue this procedure.

5. Insert the Tools & Drivers CD into the DVD tray.

6. When the CD is mounted, open a terminal window.

7. Type the following command:

```
# cd mountpoint/drivers/linux/linux_version
```

Where *mountpoint* is the CD mountpoint and *linux\_version* is the version of Linux that you have installed. For example:

```
# cd /mnt/cdrom/drivers/linux/red_hat
```

8. Type the following to install the diagnostic partition:

```
# ./install.sh
```

9. Press the Enter key.

The following lines appear if the diagnostic partition is mounted successfully:

```
Mounting Diagnostic Partition
Installation Successful
```

10. Type the following command:

```
# ls /diagpart
```

The contents of the diagnostic partition are listed.

## 3.6.5 Accessing the Diagnostic Partition on the Solaris 10 Operating System

To access the diagnostic partition on the Solaris 10 Operating System:

1. Remove the Tools & Drivers CD from the DVD tray.
2. Reboot the machine and start the Solaris 10 Operating System.
3. Log in as root (superuser).
4. Type the following command to determine whether your diagnostic partition has been configured to be mounted:

```
# ls /diagpart
```

- If this command fails to list the log files created by the hardware diagnostics software then the operating system has never been configured to mount the diagnostic partition. Continue to [Step 5](#).
- If this command succeeds in listing the log files created by the hardware diagnostics software, then the operating system has already been configured to mount the diagnostic partition. All users have read access to this partition. Only the superuser has read/write access to this partition. You do not need to continue this procedure.

5. Insert the Tools & Drivers CD into the DVD tray.
6. When the CD is mounted, open a terminal window.
7. Type the following:

```
# cd /cdrom/cdrom0/drivers/sx86
```

8. Type the following to install the diagnostic partition:

```
# ./install.sh
```

9. Press the Enter key.

The following lines appear if the diagnostic partition is mounted successfully:

```
Mounting Diagnostic Partition  
Installing Successful
```

10. Type the following command to list the contents of the diagnostic partition:

```
# ls /diagpart
```

## 3.6.6 Accessing the Diagnostic Partition on the Windows Server 2003 Operating System

The Windows 2003 Server operating system does not allow you to mount a diagnostic partition. There is no way to view or gain access to the diagnostic partition if you are running Windows on a Sun Fire X2250 server.

The only way to retrieve the contents (log files) on the diagnostic partition is to attach a USB diskette drive to the Sun Fire X2250 server and complete the following procedure.

1. **Connect the USB diskette drive to any USB port on the Sun Fire X2250 server.**
2. **Insert the Tools & Drivers CD into the DVD tray.**
3. **Reboot the server.**
4. **At the Tools & Drivers CD main menu, type 3 to exit to DOS.**
5. **Type the following at the DOS command prompt:**

```
C:> d:
```

6. **Copy the log file to the diskette.**

For example, to copy a file named `noinput.jrl` to the diskette, type:

```
D:> copy d:\noinput.jrl a:\
```

The journal file is now saved to the diskette in the USB diskette drive.

---

## 3.7 Show Results Summary

The summary lists the tests run and shows the results. Pass, Fail, or N/A is listed for each option.

The following is a complete listing of all options that are available with the Tools & Drivers CD. If your own system does not have all of these options, they might not be listed when the Show Results Summary is displayed.

### ■ Processor

This section shows the following tests conducted against the processor: Core Processor Tests, AMD 64-Bit Core Tests, Math Co-Processor Tests – Pentium Class FDIV and Pentium Class FIST, MMX Operation, 3DNow! Operation, SSE Instruction Set, SSE2 Instruction Set, and MP Symmetry.

- **Motherboard**

This section shows the following tests conducted against the motherboard: DMA Controller Tests, System Timer Tests, Interrupt Test, Keyboard Controller Tests, PCI Bus Tests, and CMOS RAM/Clock Tests.

- **Memory, Cache Memory, and Video Memory**

This section shows the following tests conducted against the various types of memory: Inversion Test Tree, Progressive Inv. Test, Chaotic Addressing Test, and Block Rotation Test.

- **Input Device**

This section shows the following tests conducted against the input device: Verify Device, Keyboard Repeat, and Keyboard LEDs.

- **Mouse**

This section shows the following tests conducted against the mouse: Buttons, Ballistics, Text Mode Positioning, Text Mode Area Redefine, Graphics Mode Positions, Graphics Area Redefine, and Graphics Cursor Redefine.

- **Video**

This section shows the following tests conducted against the video: Color Purity Test, True Color Test, Alignment Test, LCD Test, and Test Cord Test.

- **Multimedia**

This section shows the following tests conducted against the multimedia components: Internal Speaker Test, FM Synthesizer Test, PCM Sample Test, CD/DVD Drive Read Test, CD/DVD Transfer (KB/Sec), CD/DVD Transfer Rating, CD/DVD Drive Seek Test, CD/DVD Seek Time (ms), CD/DVD Test Disk Read, and CD/DVD Tray Test.

- **ATAPI Devices**

This section shows the following tests conducted against ATAPI devices: Linear Read Test, Non-Destructive Write, and Random Read/Write Test.

- **Hard Disk**

This section shows the following tests conducted against the hard disk: Read Test, Read Verify Test, Non-Destructive Write Test, Destructive Write Test, Mechanics Stress Test, and Internal Cache Test.

- **USB**

This section shows the following tests conducted against the USB: Controller Tests and Functional Tests.

- **Hardware ID**

This test is used to determine the machine ID for the system. This test is not available for the Sun Fire X2250 server.

---

## 3.8 Print Results Report

The Print Results Report option enables you to print system diagnostic results.

Ensure that your server is connected to a printer, and then enter the required information to print the results.

---

## 3.9 About Pc-Check

The About Pc-Check window includes general information about Pc-Check software, including resident and nonresident components, such as mouse devices.

---

## 3.10 Exit to DOS

You use the Exit to DOS option to exit Pc-Check and return to the DOS prompt.



# Maintaining the Sun Fire X2250 Server

---

This chapter describes how to add, replace, and configure components in the Sun Fire X2250 server after it has been set up.

This chapter contains the following sections:

- [Section 4.1, “Tools and Supplies Needed”](#) on page 4-1
- [Section 4.3, “Powering Off the Server and Removing the Cover”](#) on page 4-3
- [Section 4.4, “Locations of Server Components”](#) on page 4-5
- [Section 4.5, “Component Replacement Procedures”](#) on page 4-6

To determine and isolate a faulty component, refer to [Section , “Performing Diagnostics”](#) on page 3-1.

---

**Note** – System cooling might be affected by dust and contaminant build-up. It is recommended that systems be opened and checked approximately every six months or more often in dirty operating environments. Check system heatsinks, fans, and air openings. If necessary, clean systems by brushing or blowing contaminants from the system or by carefully vacuuming contaminants from the system.

---

---

## 4.1 Tools and Supplies Needed

You need the following tools and supplies for performing Sun Fire X2250 server maintenance procedures.

- #2 Phillips screwdriver
- Antistatic wrist strap

- Alcohol pads (for CPU replacement by service personnel only)
- 5 mm nut driver (for motherboard replacement by service personnel only)

---

## 4.2 Installation Precautions

Before removing the system's top cover, read the following sections. These sections contain important electrostatic discharge (ESD) precautions, along with preinstallation and postinstallation instructions.

### 4.2.1 ESD Precautions

ESD can damage your processor, disk drives, expansion boards, and other components. Always observe the following precautions before you install a system component.

- Do not remove a component from its protective packaging until you are ready to install it.
- Wear a wrist strap and attach it to the system chassis ground, or to any metal part of the system, before handling components.
- Press the Power button on the front of the chassis to turn off power before removing or replacing any of the system components.

### 4.2.2 Preinstallation Instructions

Always perform the following steps before you install any component:

1. **Turn off the system and all of the peripherals connected to it.**



---

**Caution** – Failure to properly turn off the system before you start installing components can cause serious component damage.

---



---

**Caution** – Follow the ESD precautions described in [Section 4.2.1, “ESD Precautions”](#) on page 4-2 when handling a system component.

---

**2. Remove the server cover.**

See [Section 4.3, “Powering Off the Server and Removing the Cover”](#) on page 4-3 for the appropriate procedure for removing the cover from the server.

## 4.2.3 Postinstallation Instructions

Perform the following steps after installing a server component.

**1. Ensure that all of the components are installed as described in the component replacement instructions.**

See [Section 4.5, “Component Replacement Procedures”](#) on page 4-6.

**2. Reinstall any PCI-Express (PCIe) cards or peripherals that you had previously removed.**

See [Section 4.5, “Component Replacement Procedures”](#) on page 4-6.

**3. Reinstall the system’s cover.**

See [Section 4.3, “Powering Off the Server and Removing the Cover”](#) on page 4-3.

**4. Connect all external cables to the system.**

**5. Power on the system.**

See [Section 1.4, “Powering On and Powering Off the Server”](#) on page 1-7.



---

**Caution** – If the cover has been removed or hard drive bays do not have a drive or filler panel installed, do not operate the server for more than ten minutes. Improper cooling airflow might damage the system’s components.

---

---

## 4.3 Powering Off the Server and Removing the Cover

For your safety, perform this procedure when you are powering off the system and removing the cover for a maintenance procedure in this chapter.

**1. If the operating system (OS) is running, perform a shutdown of the OS, and then press and release the platform Power button on the front panel.**

**2. Turn off all peripheral devices connected to the system.**

**3. Disconnect the AC power on the back panel of the server (see [FIGURE 1-2](#)).**

4. Label and disconnect all peripheral cables and all telecommunication lines connected to I/O connectors or ports on the back panel of the system.



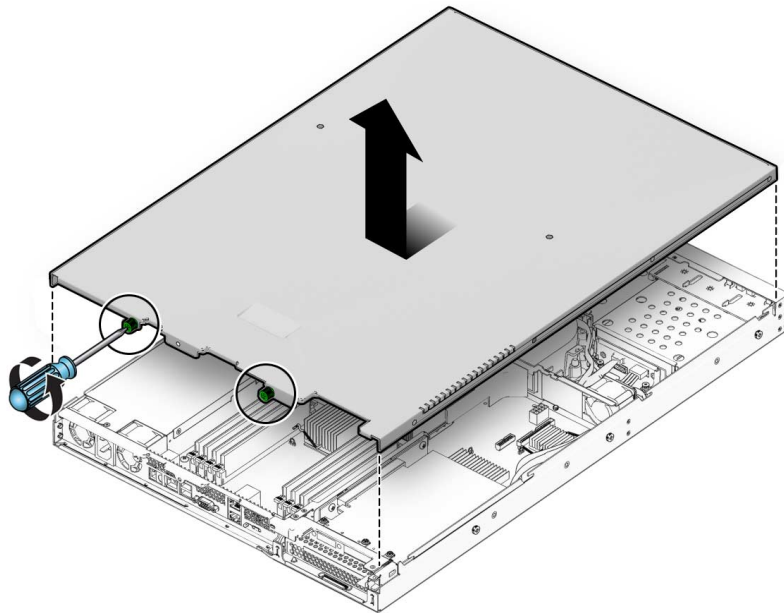
---

**Caution** – The system's printed circuit boards and hard disk drives contain components that are extremely sensitive to static electricity.

---

5. Before handling components, attach a wrist strap to a chassis ground (any unpainted metal surface).
6. Loosen the two captive screws securing the cover to the chassis (see [FIGURE 4-1](#)).
7. Pull the cover slightly toward the back of the server and then straight up to remove it.
8. Lift the cover and remove it.

**FIGURE 4-1** Removing the Server Cover



## 4.4 Locations of Server Components

FIGURE 4-2 Sun Fire X2250 Server System Components

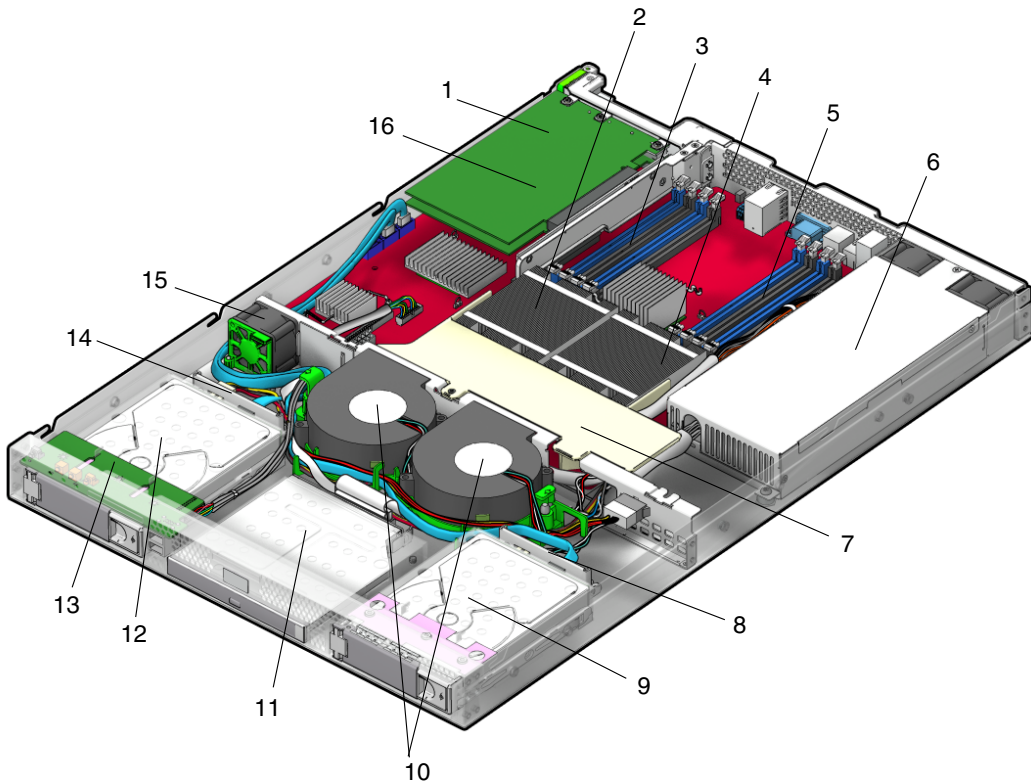


TABLE 4-1 Sun Fire X2250 Server Internal Components

Label	Component	Label	Component
1	PCI Express riser and card	9	Optional SATA hard drive 1
2	CPU 1	10	Dual blower module
3	DIMM slots (4)	11	Optional DVD drive
4	CPU 0	12	Optional SATA hard drive 0
5	DIMM slots (4)	13	I/O board

**TABLE 4-1** Sun Fire X2250 Server Internal Components (Continued)

Label	Component	Label	Component
6	Power supply	14	HDD 0 backplane
7	Air duct	15	Single fan module
8	HDD 1 backplane	16	System battery (located under the PCI Express card)

## 4.5 Component Replacement Procedures

The following components are customer-replaceable units (CRUs):

- I/O board (see [Section 4.5.1, “Replacing the I/O Board”](#) on page 4-7)
- PCIe cards and risers (see [Section 4.5.2, “Replacing the PCIe Card and Riser Assembly”](#) on page 4-9)
- Hard disk drives and carriers (see [Section 4.5.3, “Replacing a Hard Disk Drive and Carrier”](#) on page 4-13)
- Hard disk drive backplanes (see [Section 4.5.4, “Replacing an HDD Backplane Assembly”](#) on page 4-15)
- Optical Disk Drive (DVD or CD) drive (see [Section 4.5.5, “Removing and Installing the ODD Drive Assembly”](#) on page 4-18)
- Air duct (see [Section 4.5.6, “Replacing the Air Duct”](#) on page 4-20)
- Power supply (see [Section 4.5.7, “Replacing the Power Supply”](#) on page 4-22)
- Single fan module (see [Section 4.5.8, “Replacing the Single Fan Module”](#) on page 4-25)
- Dual blower modules (see [Section 4.5.9, “Replacing the Dual Blower Module”](#) on page 4-26)
- Memory modules (DIMMs) (see [Section 4.5.10, “Replacing Memory Modules”](#) on page 4-28)
- Battery (see [Section 4.5.11, “Replacing the System Battery”](#) on page 4-33)
- CPU - new installation (see [Section 4.5.13, “Installing a New CPU”](#) on page 4-41).
- Cable kit (see [Section 4.5.14, “Replacing Cables”](#) on page 4-45)

The following component should be replaced only by trained field service technicians:

- CPU - replacement (see [Section 4.5.12, “Replacing a CPU and Heatsink”](#) on page 4-36).
- Motherboard (see [Section 4.5.15, “.Motherboard”](#) on page 4-46)

## 4.5.1 Replacing the I/O Board

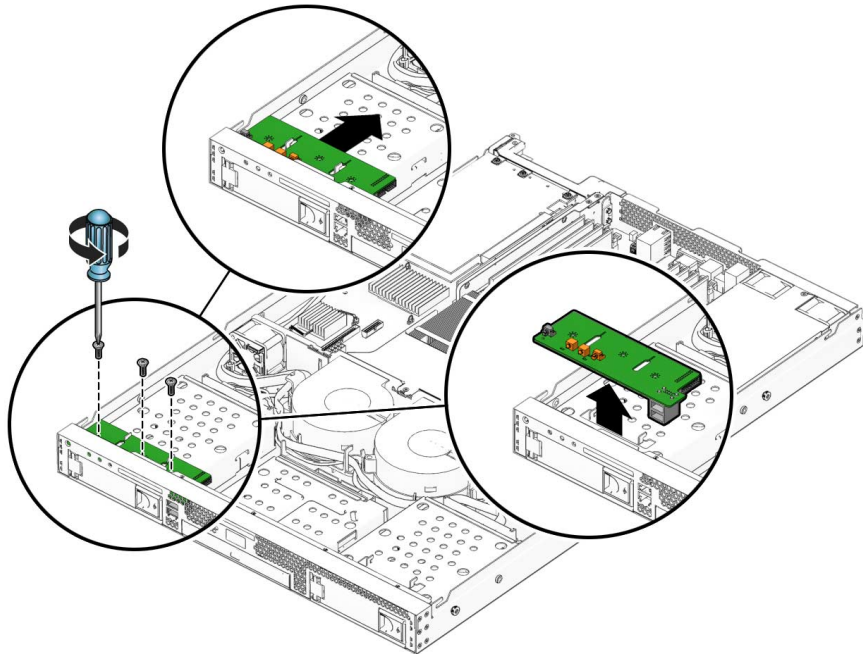
The following procedures describe how to remove and replace an I/O board.

### 4.5.1.1 Removing the I/O Board

To remove the I/O board:

1. **Power off the server, including any attached peripherals, and disconnect the server from the electrical outlet. Refer to [Section 4.3, “Powering Off the Server and Removing the Cover”](#) on page 4-3.**
2. **Remove the screws securing the I/O board to the hard disk drive (HDD) cage.**

**FIGURE 4-3** Removing the I/O Board



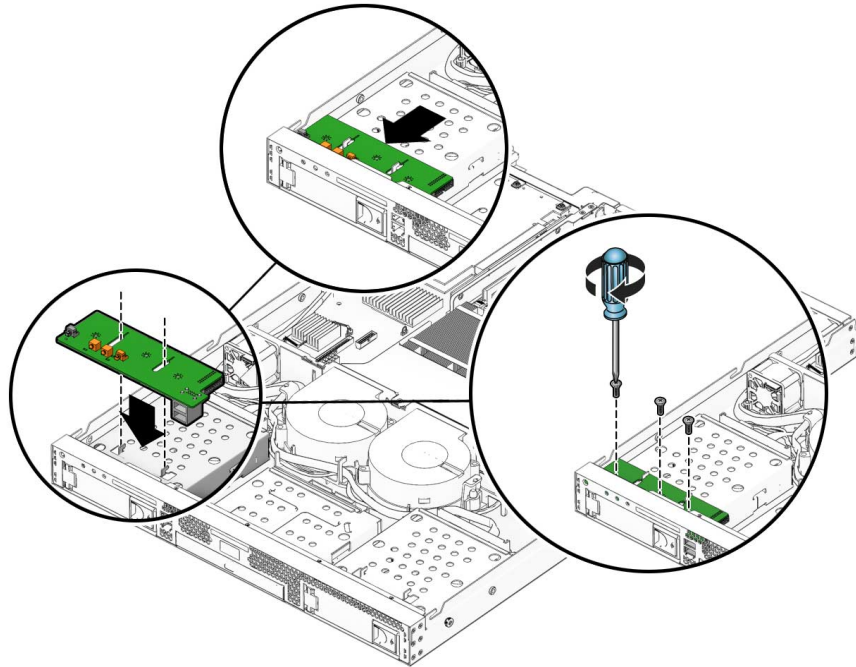
3. **Pull the I/O board back slightly, then upward to disengage the board from the guides on top of the HDD cage.**
4. **Remove all cables connected to the I/O board.**

## 4.5.1.2 Installing the I/O Board

To install the I/O board:

1. Position the I/O board on top of the HDD cage so the openings on the board line up with the guides on top of the HDD cage.

FIGURE 4-4 Installing the I/O Board



2. Reconnect the cables.
3. Gently push the I/O board down to engage the guides and push the board forward to secure it.
4. Fasten the screws to secure the I/O board to the mounting bracket.
5. Check the routing of all cables for obstructions, and then reinstall the cover as described in [Section 4.3, "Powering Off the Server and Removing the Cover"](#) on [page 4-3](#).



## 4.5.2 Replacing the PCIe Card and Riser Assembly

---

**Note** – Many of the illustrations in this section show multiple PCIe slots on the motherboard. The Sun Fire X2250 server motherboard will only have a single PCIe slot.

---

The PCIe riser assembly installed in the server is a low-profile, half-length x16 dual connector card, supporting up to 35W cards.

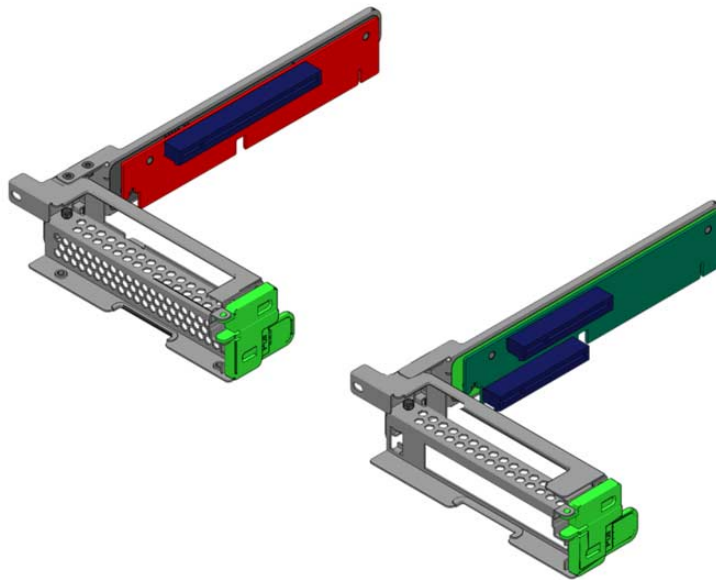
- [Low-profile, half-length x16 single connector card up to ?W](#)

---

**Note** – [Graphics cards are not currently supported for the x16 riser assembly. Refer to the \*Sun Fire X2100 M2 Server Product Notes\* for specifics on limits on supported cards for this riser assembly.](#)

---

**FIGURE 4-5** [PCIe riser assembly: x16 assembly \(left\) x8 assembly \(right\)](#)



The following procedures describe how to remove or install a riser assembly and PCIe card.

---

**Note** – The examples shown in these procedures use the x8 card, but the installation and removal instructions are the same for the x16 card. The x16 riser assembly has one PCIe card connector, rather than two.

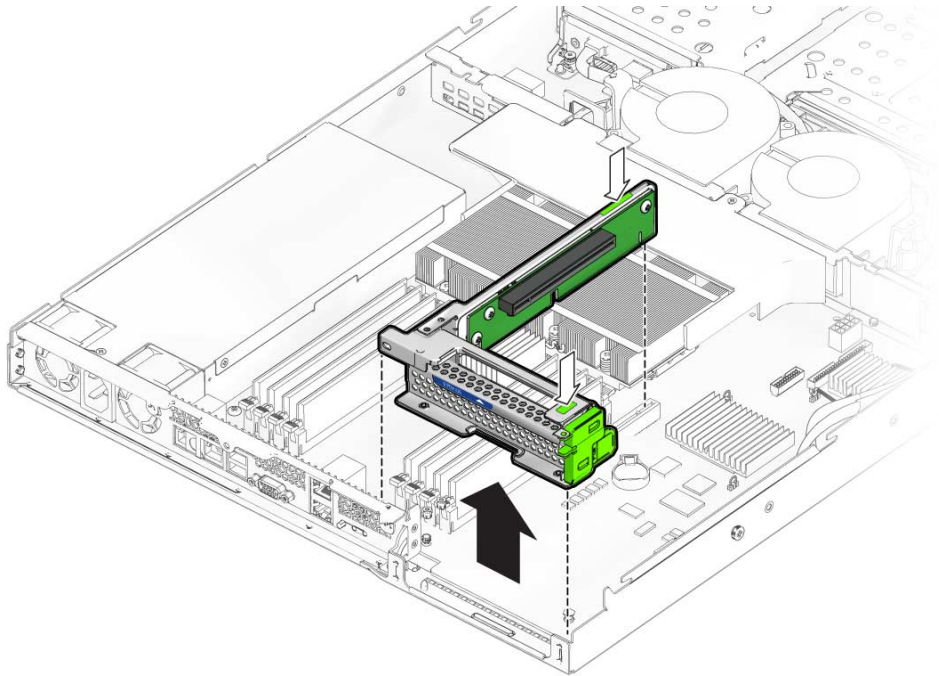
---

## 4.5.2.1 Removing the Riser Assembly and PCIe Card

To remove the riser assembly and PCIe card:

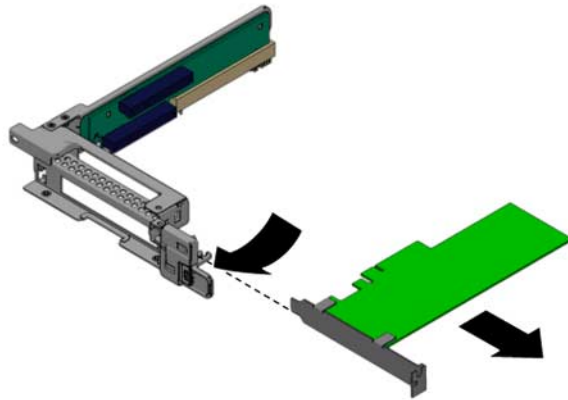
1. **Power off the system and remove the cover as described in Section 4.3, “Powering Off the Server and Removing the Cover” on page 4-3.**

**FIGURE 4-6** Removing the PCIe Card Riser Assembly



2. **Placing your fingers on the two green areas on the riser assembly, pull the assembly upward and out of the chassis. See FIGURE 4-6.**
3. **Unlatch the PCIe card and remove the card from the PCIe card riser assembly connector. See FIGURE 4-7.**

**FIGURE 4-7** Removing a PCIe Card

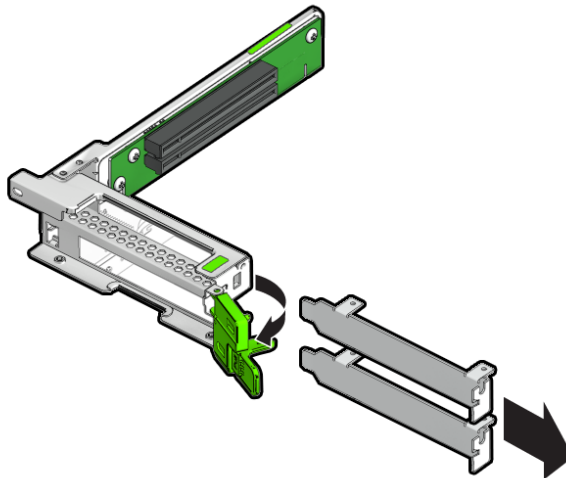


#### 4.5.2.2 Installing the PCIe Card and Riser Card Assembly

To install the PCIe card and riser card assembly:

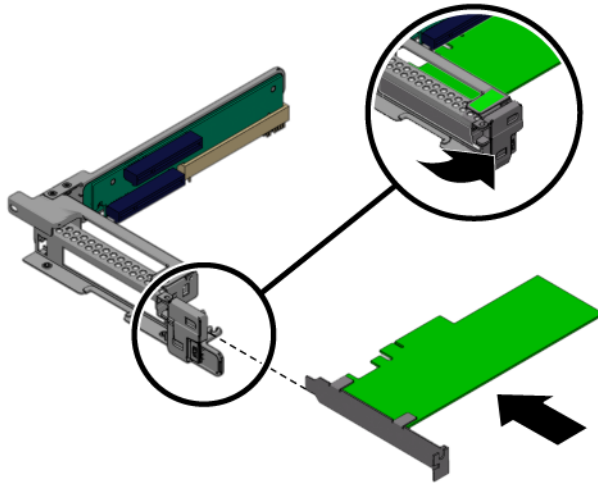
1. If necessary, remove the riser card filler panel. See [FIGURE 4-8](#).

**FIGURE 4-8** Removing the PCIe Riser Card Filler Panel



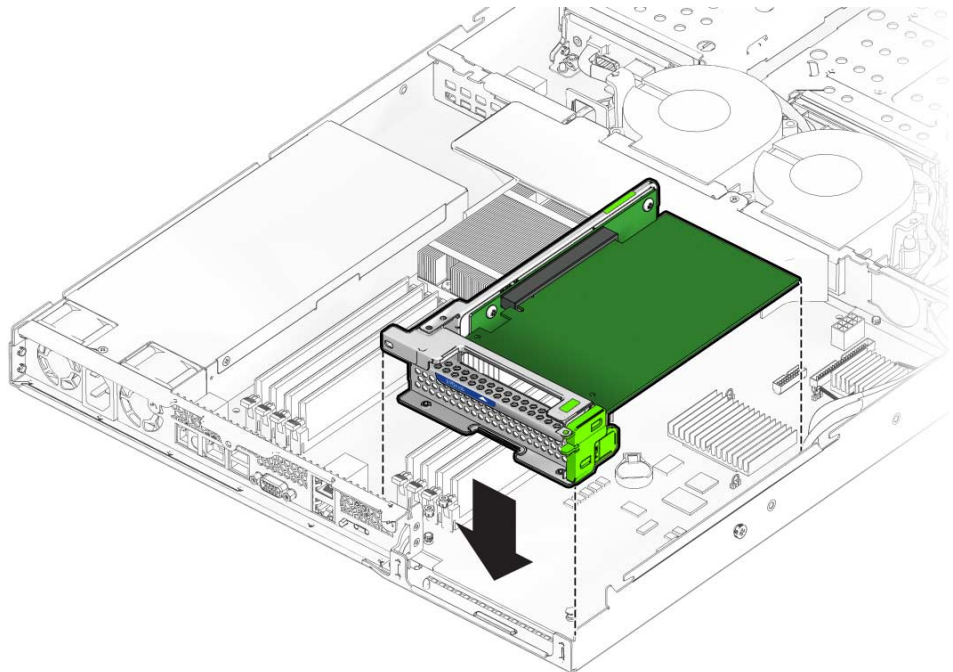
2. Insert the new PCIe card into the riser assembly and fasten the latch to secure the card. See [FIGURE 4-9](#).

**FIGURE 4-9** Installing the PCIe Card



3. Reinstall the riser assembly into the connector on the motherboard. See [FIGURE 4-10](#).

**FIGURE 4-10** Installing the PCIe Card Riser Assembly



4. Check the routing of all cables for obstructions, and then reinstall the cover as described in Section 4.3, “Powering Off the Server and Removing the Cover” on page 4-3.

## 4.5.3 Replacing a Hard Disk Drive and Carrier

The following procedures describe how to remove and replace a hard disk drive (HDD) and carrier.

### 4.5.3.1 Removing an HDD and Carrier

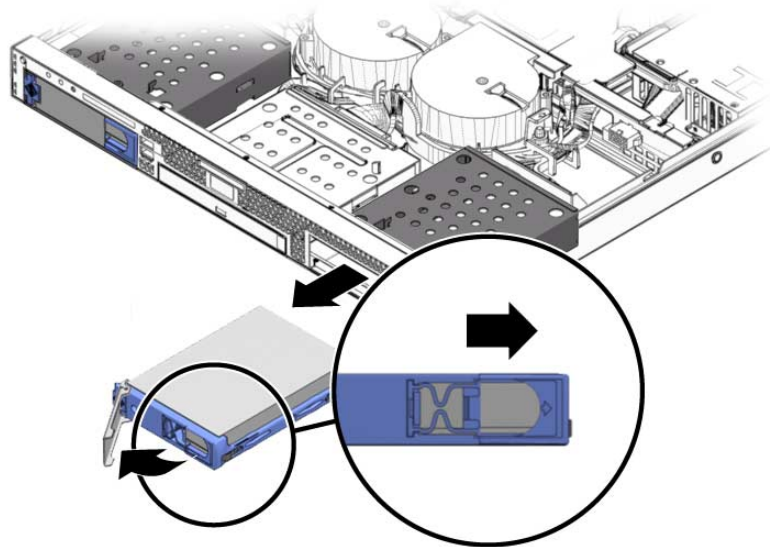
To remove the HDD and carrier:

1. If you are *not* using an integrated-mirroring (IM) configuration, you must power off the server before removing an HDD; it is not necessary to remove the cover. Power off the system as described in Section 4.3, “Powering Off the Server and Removing the Cover” on page 4-3.

If you are using an IM configuration, start with Step 2.

2. Squeeze the release latch on the HDD and carefully swing the arm to the left as far as it will go.

FIGURE 4-11 Removing a Hard Disk Drive



3. Grasp the carrier bezel with both hands and carefully pull the carrier out of the drive bay.

---

**Note** – Avoid using the arm to remove the carrier.

---

4. Reinsert the HDD and carrier into the server as described in [Section 4.5.3.2, “Installing an HDD and Carrier”](#) on page 4-14.

### 4.5.3.2 Installing an HDD and Carrier

---

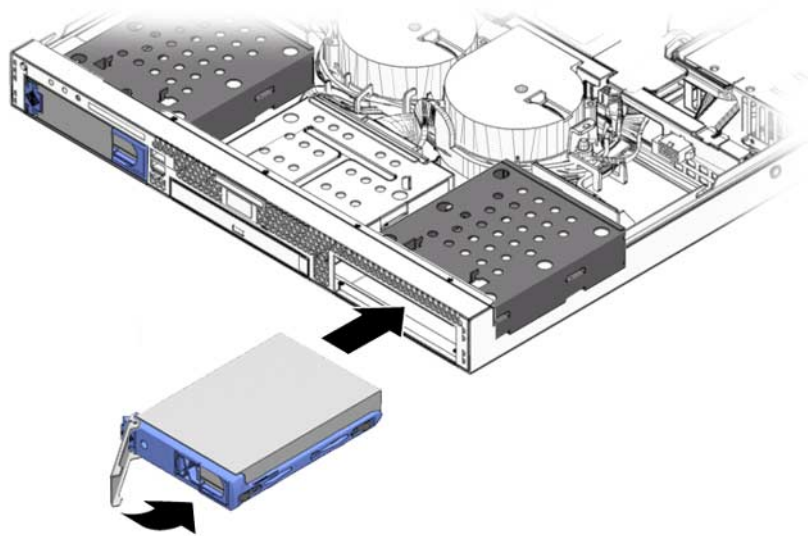
**Note** – If you are installing a new HDD, rather than replacing an already installed HDD, you will need to remove the empty carrier from the drive cage before installing the new HDD. See instructions for Removing an HDD and carrier.

---

To install the HDD and carrier:

1. Squeeze the release latch on the HDD and carefully swing the arm to the left as far as it will go.

**FIGURE 4-12** Installing a Hard Disk Drive



2. Grasping the body of the drive in both hands, carefully guide the connector end of the carrier into the drive bay, sliding the carrier into the bay until the latch engages and partially closes itself.
3. Push the latch forward until it locks to secure the carrier in place.

## 4.5.4 Replacing an HDD Backplane Assembly

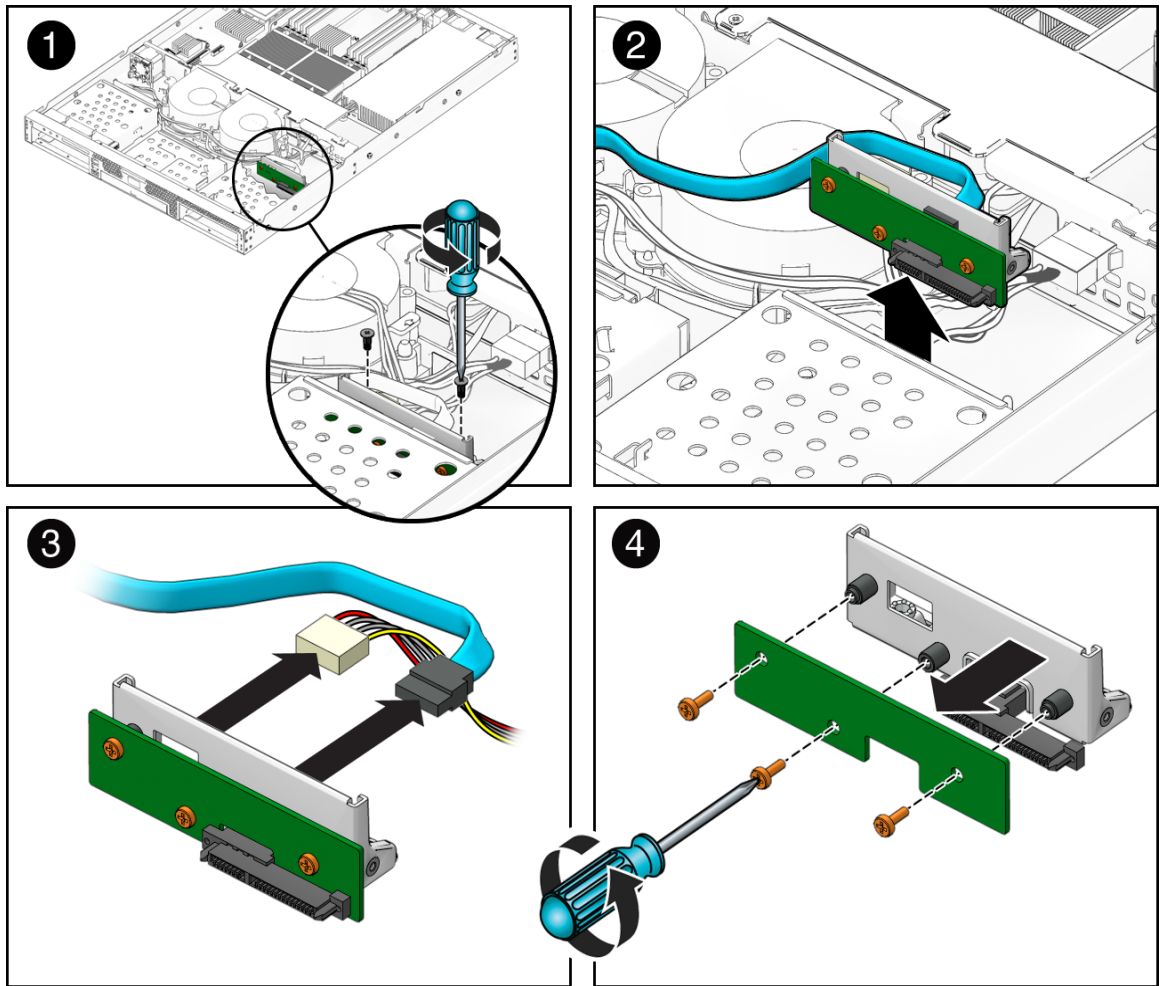
The following procedure describes how to replace the hard disk drive (HDD) backplane assembly for HDD 0 and HDD 1.

### 4.5.4.1 Removing an HDD Backplane

To remove the HDD backplane:

1. **Remove the HDD as described in [Section 4.5.3.1, “Removing an HDD and Carrier”](#) on page 4-13.**  
This ensures that the HDD is detached from the HDD backplane assembly.
2. **Remove the screws fastening the backplane assembly to the server chassis.**
3. **Carefully lift the HDD backplane assembly from the server chassis.**
4. **Disconnect the HDD power and SATA cables from the rear of the HDD backplane assembly.**
5. **Remove the screws fastening the HDD backplane to the backplane bracket.**

**FIGURE 4-13** Removing the HDD Backplane Assembly



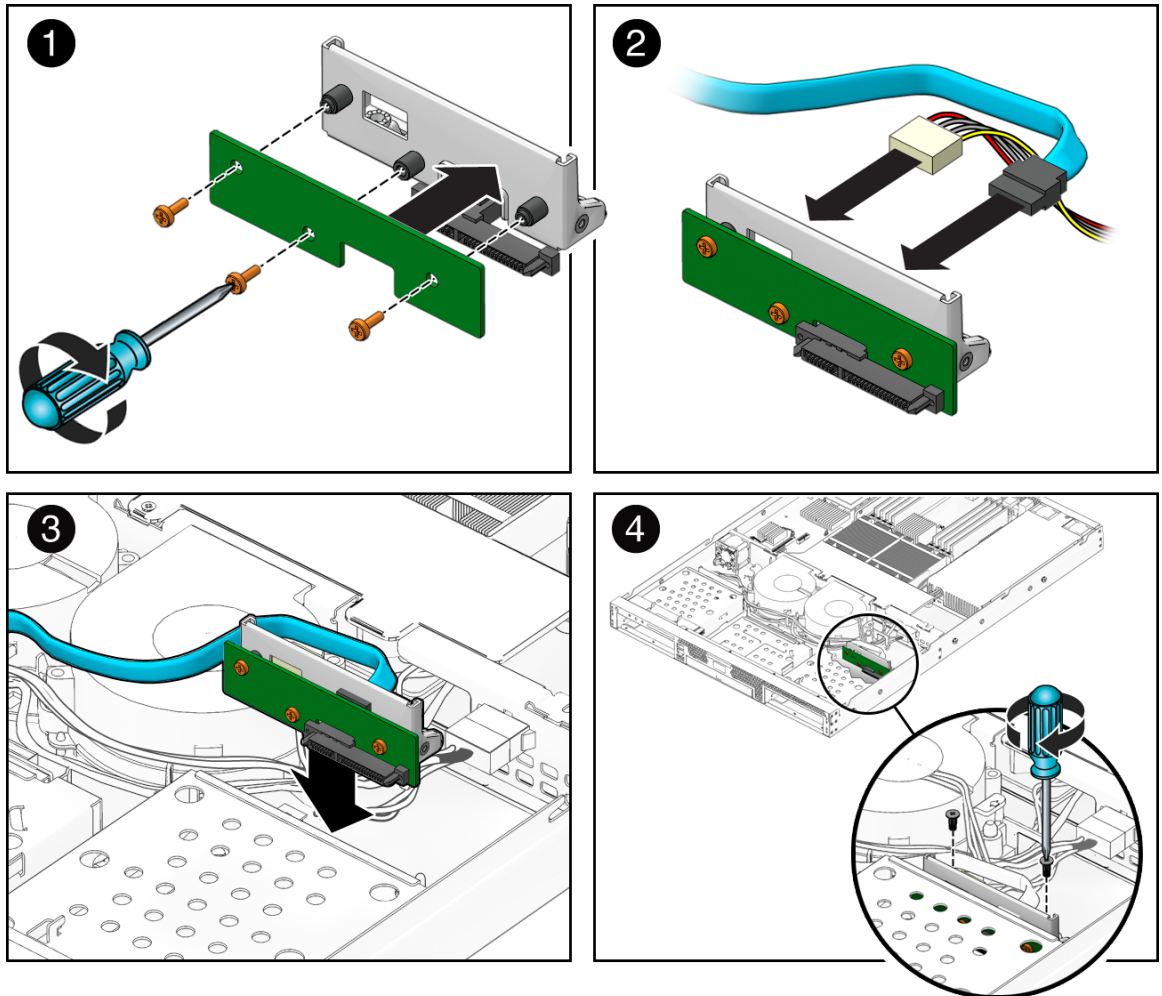
#### 4.5.4.2 Replacing an HDD Backplane

To install the HDD backplane assembly:

1. Fasten the screws to secure the HDD backplane to the backplane bracket.
2. Reinstall the HDD power and SATA cables to the rear of the HDD backplane assembly.
3. Reinsert the HDD assembly into the server chassis.
4. Fasten the screws to secure the HDD backplane assembly to the server chassis.



**FIGURE 4-14** Replacing the HDD Backplane Assembly



5. Reinsert the HDD as described in [Section 4.5.3.2, “Installing an HDD and Carrier”](#) on page 4-14.
6. Check the routing of all cables for obstructions, and then reinstall the cover as described in [Section 4.3, “Powering Off the Server and Removing the Cover”](#) on page 4-3.

## 4.5.5 Removing and Installing the ODD Drive Assembly

The following procedure describes how to replace the optical disk drive (ODD) assembly. If you are not replacing a DVD drive, go to [Section 4.5.5.2, “Installing the ODD Drive Assembly”](#) on page 4-19.

### 4.5.5.1 Removing the ODD Drive Assembly

To remove the ODD (DVD or CD) drive assembly:

1. **Power off the system and remove the cover as described in [Section 4.3, “Powering Off the Server and Removing the Cover”](#) on page 4-3.**
2. **Unfasten the drive ribbon cable from the ODD drive.**

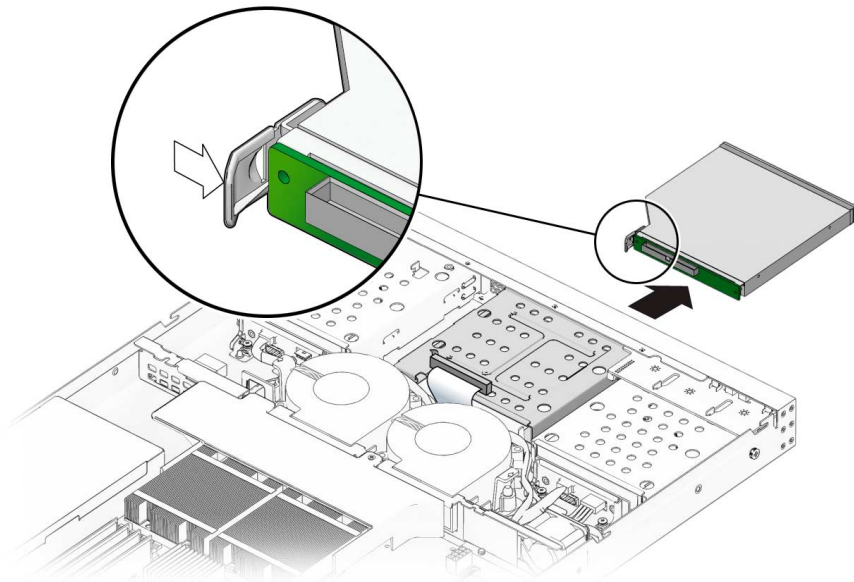


---

**Caution** – Use care with the small flat cables. They are extremely fragile.

---

**FIGURE 4-15** Removing the DVD Drive Assembly



3. **Push the latch on the back of the ODD drive toward the drive until the ODD drive springs forward out of the chassis.**

#### 4. Pull the ODD drive out the front of the chassis.



---

**Caution** – Move the assembly by grasping it by its sides. Do not push on the DVD-ROM tray.

---

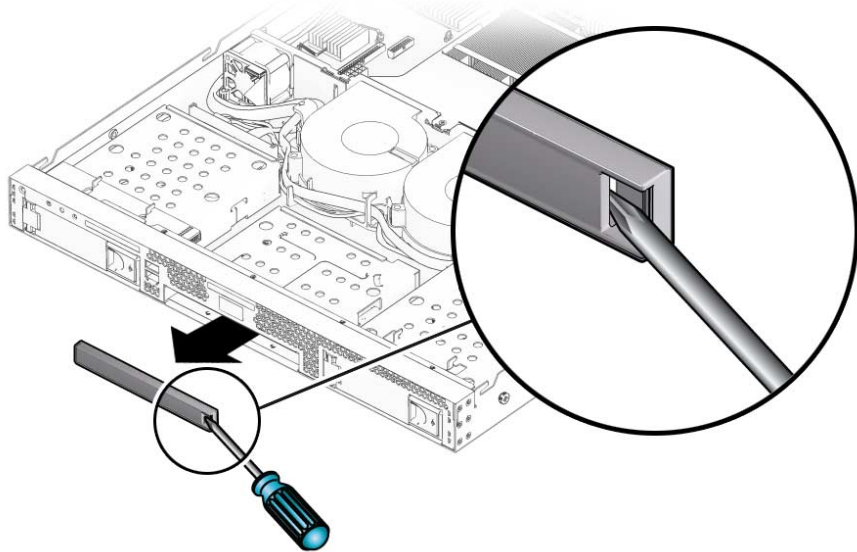
### 4.5.5.2 Installing the ODD Drive Assembly

To install the ODD (DVD or CD) drive assembly:

1. **If necessary, remove the filler panel in front of the ODD drive slot on the front panel.**

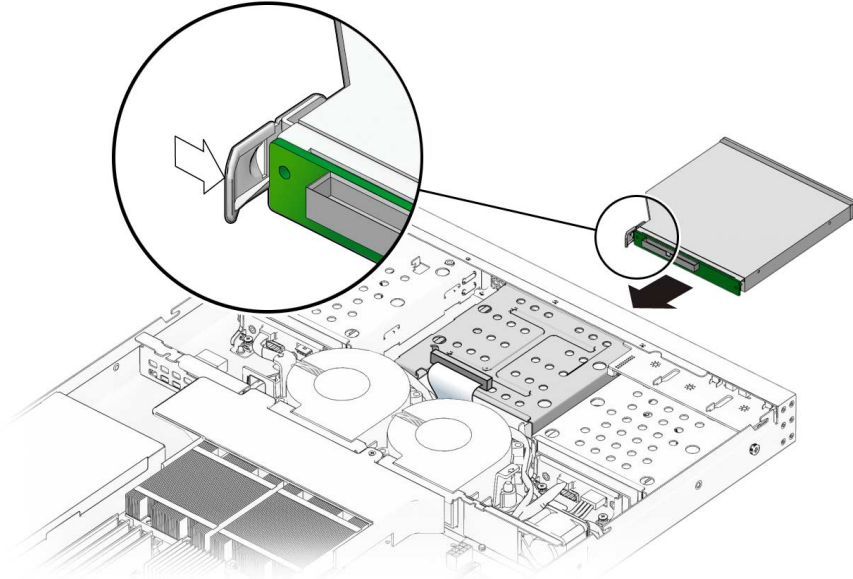
Put your finger or a screw driver behind the slot on the right side of the filler panel and pull the panel outward.

**FIGURE 4-16** Removing the ODD Filler Panel



2. **Position the ODD drive in front of the ODD drive slot on the front panel.**
3. **Push the ODD drive into the drive slot until the drive clicks into place.**

**FIGURE 4-17** Installing the ODD Assembly



4. Reinstall the ODD drive cable.
5. Check the routing of all cables for obstructions, and then reinstall the cover.

## 4.5.6 Replacing the Air Duct

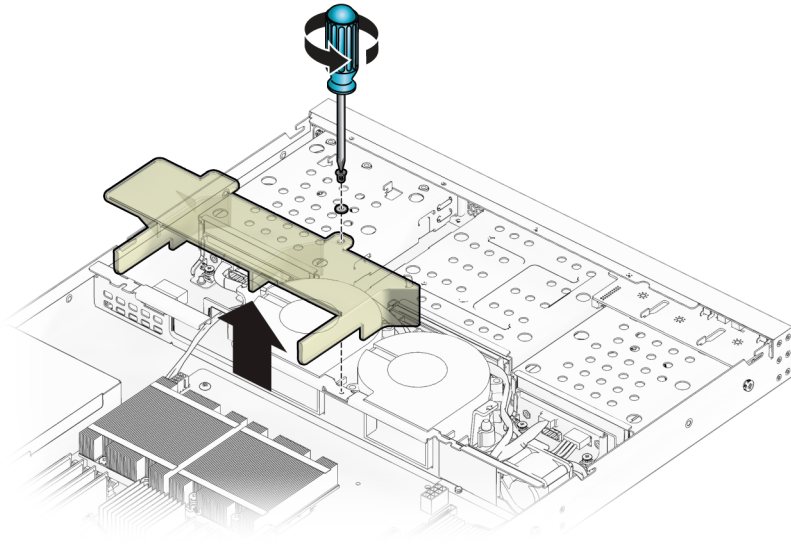
The following procedures describe how to replace the system air duct.

### 4.5.6.1 Removing the Air Duct

To remove the air duct:

1. Power off the system and remove the cover as described in [Section 4.3, "Powering Off the Server and Removing the Cover"](#) on page 4-3.
2. Remove the screw fastening the air duct to the chassis divider.
3. Pull the air duct up and out of the chassis.

**FIGURE 4-18** Removing the Air Duct

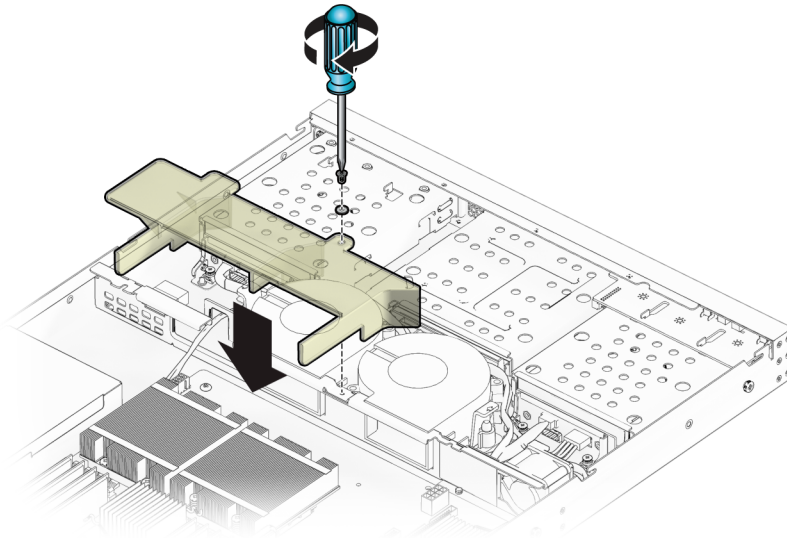


### 4.5.6.2 Installing the Air Duct

To install the air duct:

1. Position the air duct into the chassis as shown in [FIGURE 4-19](#), aligning the baffle with the screw hole and opening in chassis divider.
2. Fasten the screw that attaches the air duct to the chassis divider.

**FIGURE 4-19** Installing the Air Duct



## 4.5.7 Replacing the Power Supply

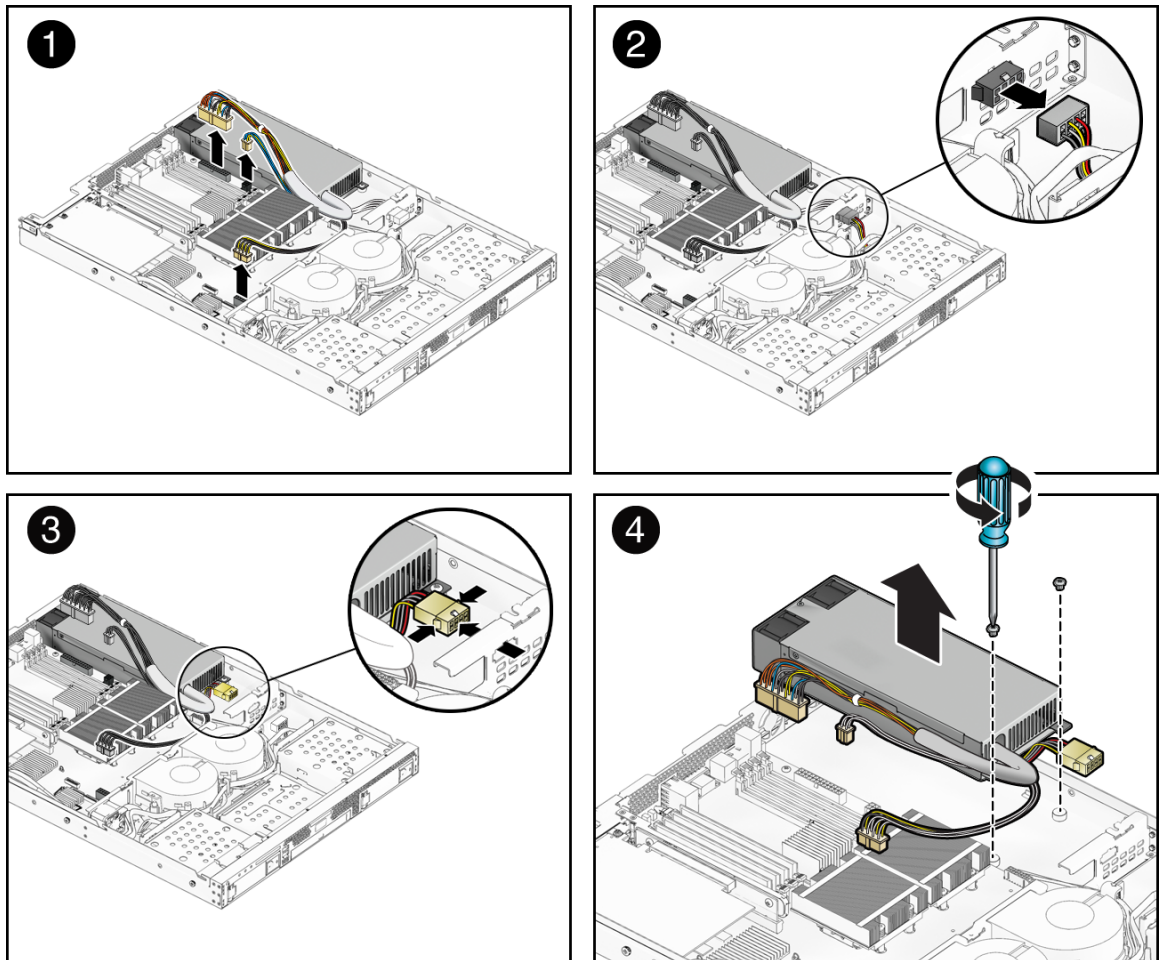
The following procedures describe how to replace the power supply.

### 4.5.7.1 Removing the Power Supply

To remove the power supply:

1. **Power off the system and remove the cover as described in [Section 4.3](#), “Powering Off the Server and Removing the Cover” on page 4-3.**
2. **Remove the air duct. See [Section 4.5.6.1](#), “Removing the Air Duct” on page 4-20.**
3. **Disconnect the three power supply cables from the motherboard.**
4. **Perform the following to disconnect the power supply connection from the hard disk drives (HDDs).**
  - a. **Disconnect the HDD power harness plug from the power supply unit.**
  - b. **Squeeze the tabs on the connector and push it through the cut out in the chassis bulkhead.**
5. **Remove the captive screws.**

**FIGURE 4-20** Removing the Power Supply



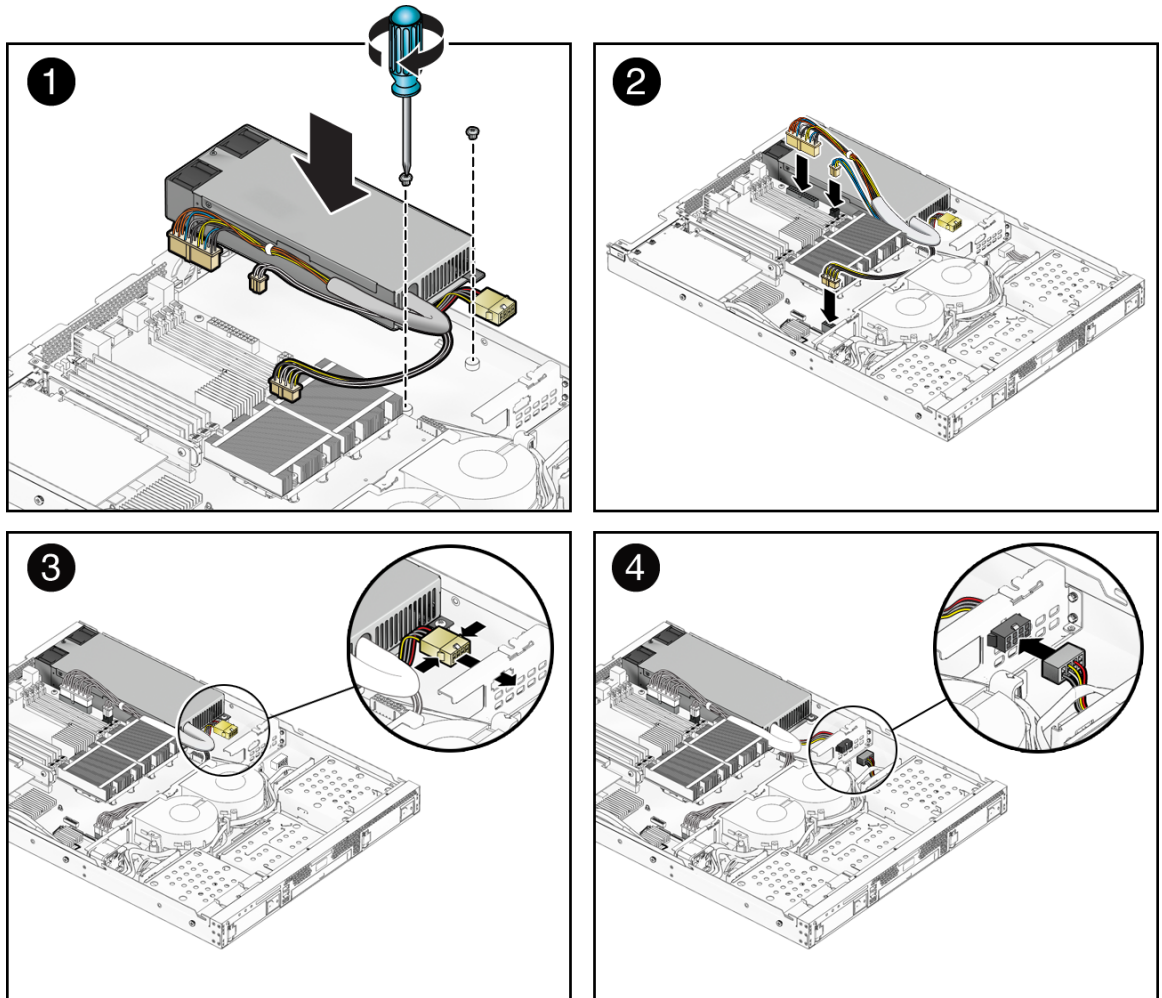
**6. Lift the power supply out of the chassis.**

### 4.5.7.2 Installing the Power Supply

To install the power supply:

- 1. Position the power supply over the chassis power-supply cage.**
- 2. Insert the power supply into the chassis and push it forward so that it is flush with the back panel.**
- 3. Install the power supply and fasten the captive screws.**

**FIGURE 4-21** Installing the Power Supply



4. Connect three of the power supply cables to the motherboard. See [FIGURE 4-38](#).
5. Reinstall the cable clips to the power supply cables.  
This ensures that the power supply cables will not obstruct the CPU airstream.
6. Perform the following procedures to reconnect the power supply to the hard disk drives (HDDs).
  - a. Squeeze the tabs on the connector and push it through the cut out in the chassis bulkhead.
  - a. Reconnect the HDD power harness plug to the power supply unit.



7. Replace the air duct. See [Section 4.5.6.2, “Installing the Air Duct”](#) on page 4-21.
8. Check the routing of all cables for obstructions, and then reinstall the cover.

## 4.5.8 Replacing the Single Fan Module

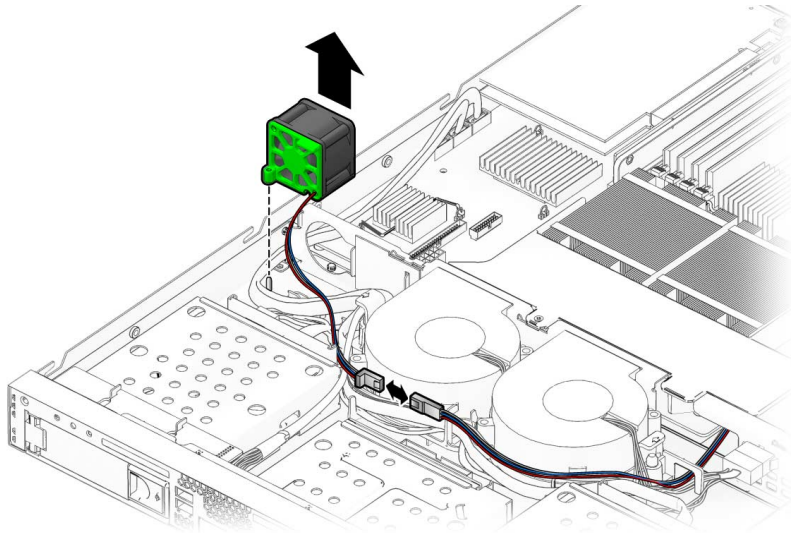
The following procedures describe how to replace the single system fan module.

### 4.5.8.1 Removing the Fan Module

To remove the system fan module:

1. Power off the system and remove the cover as described in [Section 4.3, “Powering Off the Server and Removing the Cover”](#) on page 4-3.
2. Pull the fan module upward to remove it from the chassis.

FIGURE 4-22 Removing the Fan Module



3. Unplug the fan's power connector from the connector on the fan harness.

---

**Note** – Note exactly which motherboard connector was connected to the fan. If you connect a fan to an incorrect connector, the SP cannot correctly identify a fan failure.

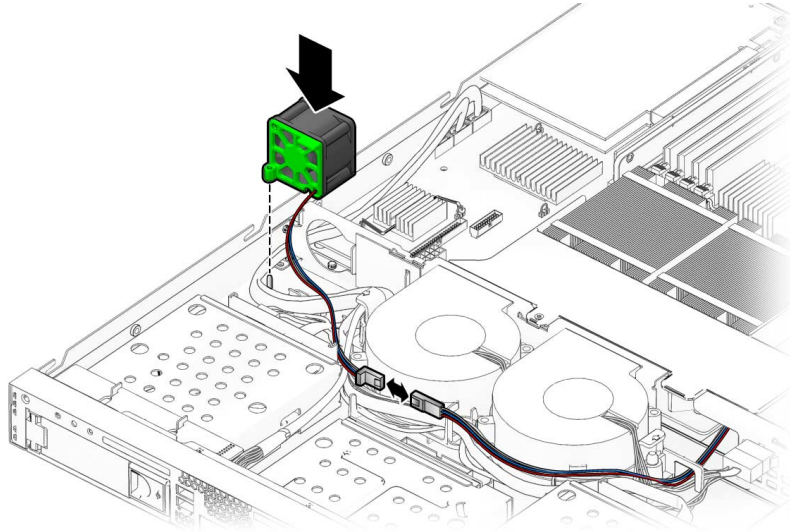
---

## 4.5.8.2 Installing the Fan Module

To install the system fan module:

1. Position the fan so that the arrow on top of the fan casing is facing the middle chassis divider.
2. Place the fan module in the chassis so that it fits over the small guideposts.

**FIGURE 4-23** Installing the Fan Module



3. Gently push the fan down to secure it to the chassis.
4. Connect the fan connector to the appropriate connector on the fan harness.
5. Check the routing of all cables for obstructions, and then reinstall the cover.

## 4.5.9 Replacing the Dual Blower Module

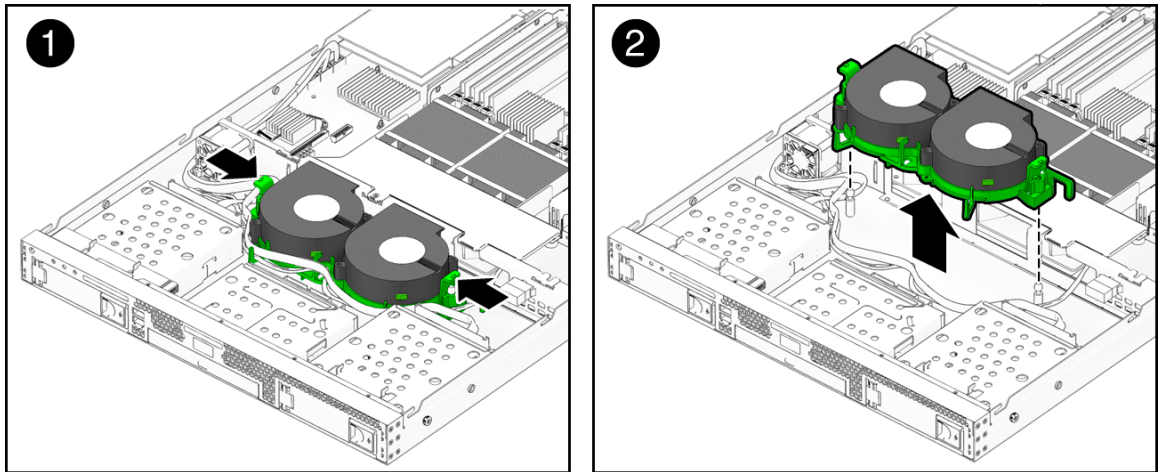
The following procedures describe how to replace the dual blower module.

### 4.5.9.1 Removing the Dual Blower Module

To remove the dual blower module:

1. Power off the system and remove the cover as described in Section 4.3, “Powering Off the Server and Removing the Cover” on page 4-3.
2. Remove the air duct as described in Section 4.5.6.1, “Removing the Air Duct” on page 4-20.
3. Remove the fan connector from the harness connector.  
Other cables can be routed through the cable retaining channel. Disengage these cables from the channel before proceeding.
4. Unplug the fan’s power connector from the motherboard.

FIGURE 4-24 Removing the Dual Blower Module



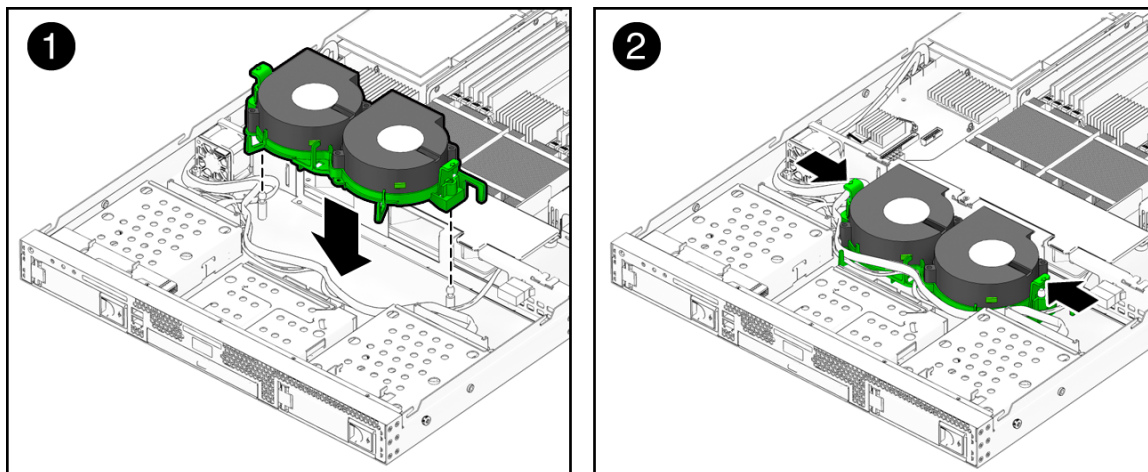
5. Push in the green tabs on both sides of the dual blower module and simultaneously pull the fan module upward to remove it from the chassis.

#### 4.5.9.2 Installing the Dual Blower Module

To install the dual blower module:

1. Position the dual blower module so that it fits over the guideposts and the duct opening fits into the cutouts in the chassis divider.

FIGURE 4-25 Installing the Dual Blower Module



2. Gently push the blower module down, until you hear the side tabs click into place.
3. Connect the blower connector to the appropriate connector on the motherboard.
4. Connect the fan connector to the corresponding fan harness connector.
5. Route the cables through the wiring retainers on the blower module.
6. Check the routing of all cables for obstructions, and then reinstall the cover.

## 4.5.10 Replacing Memory Modules

The following procedure describes how to remove and or install dual inline memory modules (DIMMs).

### 4.5.10.1 DIMM Population Rules

---

**Note** – Keep in mind the following information and rules when you use the procedures in this section to replace or add DIMMs to the server.

---

- DIMMs must be installed in matched pairs (one bank at a time). The two DIMMs in a bank must be of the same size, type, vendor, and speed (for example, 667 MHz DIMMs for FSB 1333 CPU configurations, and 800 MHz DIMMs for FSB 1600 CPU configurations).

- DIMM pairs must be populated in the following DIMM slot order: A0 & B0, C0 & D0, A1 & B1, C1 & D1.
- Blue DIMM sockets are always populated first. Largest modules are always populated first before smaller module sizes.

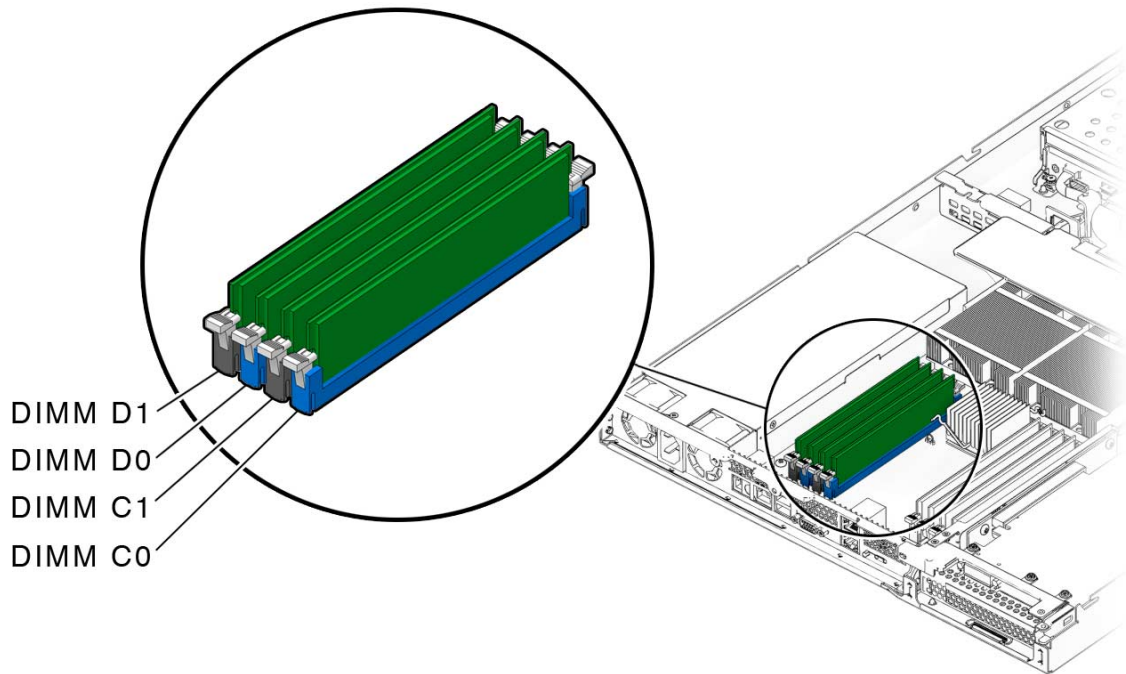
## 4.5.10.2 Removing a DIMM

To remove a DIMM:

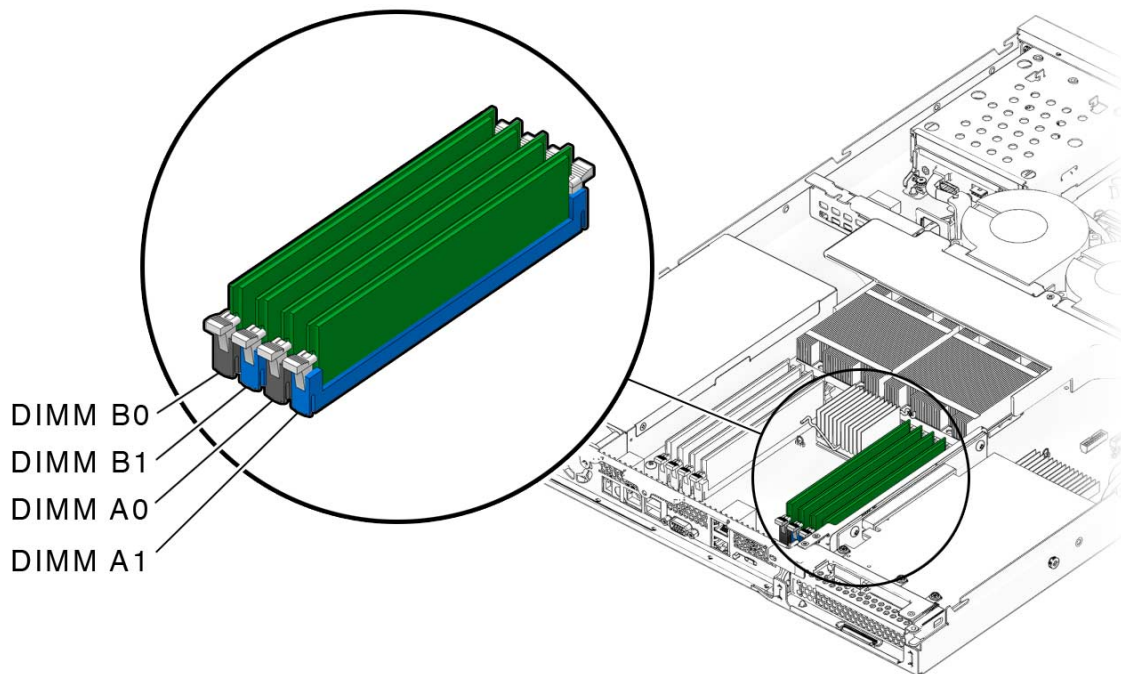
1. **Power off the system and remove the cover as described in [Section 4.3](#), “Powering Off the Server and Removing the Cover” on page 4-3.**
2. **Locate the DIMM connector in which you will install or replace a memory module.**

Bank 0 is the bank closest to CPU 0 and Bank 1 is the bank closest to CPU 1. See [FIGURE 4-26](#) and [FIGURE 4-27](#).

**FIGURE 4-26** Bank 0 DIMM Slot Locations

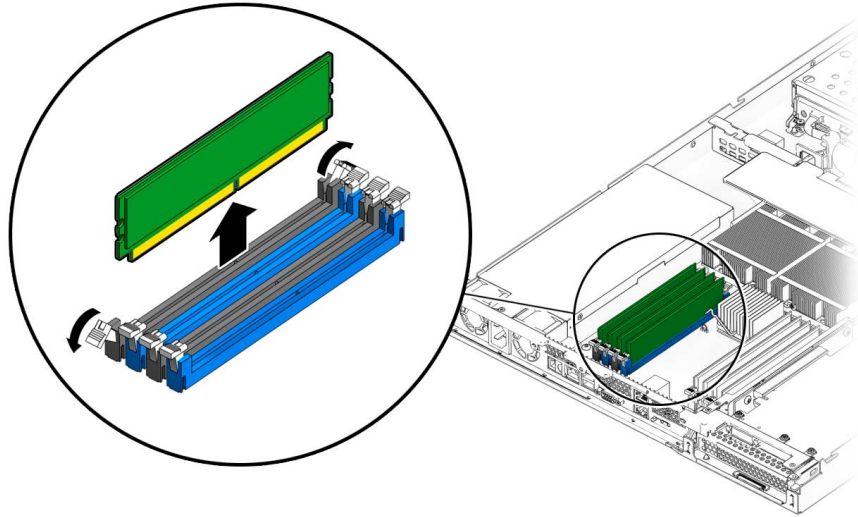


**FIGURE 4-27** Bank 1 DIMM Slot Locations



3. Remove a DIMM by pressing down on the ejector levers at both ends of the memory module's socket (see [FIGURE 4-28](#)).
4. Pull the DIMM up and out of the socket.

**FIGURE 4-28** Removing a DIMM

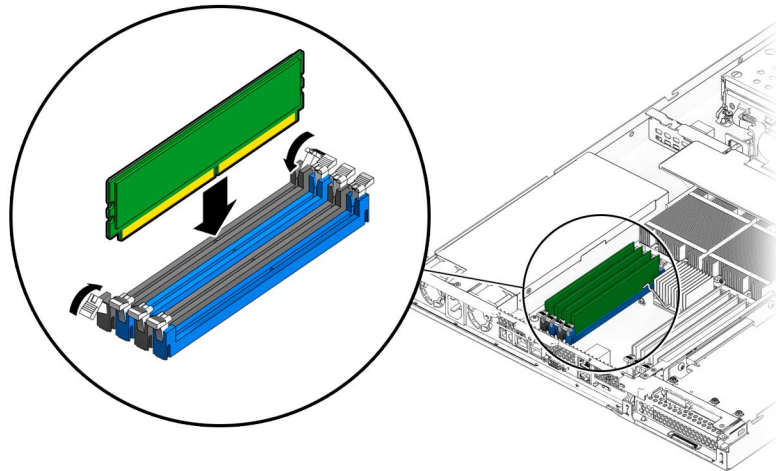


### 4.5.10.3 Installing a DIMM

To install a DIMM:

1. Refer to [Section 4.5.10.1, “DIMM Population Rules”](#) on page 4-28 before installing DIMMs.
2. Ensure that the DIMM socket ejector levers are open (rotated outward) to allow the new module to be inserted.
3. Align the DIMM’s edge connector with the alignment key and insert the memory module into the connector.

**FIGURE 4-29** Installing a DIMM



4. **Using both thumbs, press the DIMM straight down into the DIMM slot until both ejector levers click, locking the DIMM in the DIMM slot.**
  - The DIMMs must be inserted evenly, straight down along the DIMM slot until locked into place.
  - The DIMM is seated when you hear a click and the DIMM ejector levers are in the vertical position.

---

**Note** – The manufacturer and capacity of both modules in the same memory bank (Banks A0–A1, B0–B1) must be identical.

---

5. **Check the routing of all cables for obstructions, and then reinstall the cover.**



## 4.5.11 Replacing the System Battery

The system battery is a common CR2032 calculator battery.

You might need to replace the system battery if you know it is weak or if after any period of AC power loss, the BIOS loses its CMOS settings, or if the time-of-day clock loses time.



---

**Caution** – Removing the battery causes the server to revert to the factory default BIOS settings, regardless of how the server boot options have been set up using the System Setup Utility or the BIOS Setup utility.

---



---

**Caution** – Do not attempt to open or service batteries. The battery contains lithium and can explode if not properly used, handled, or disposed of.

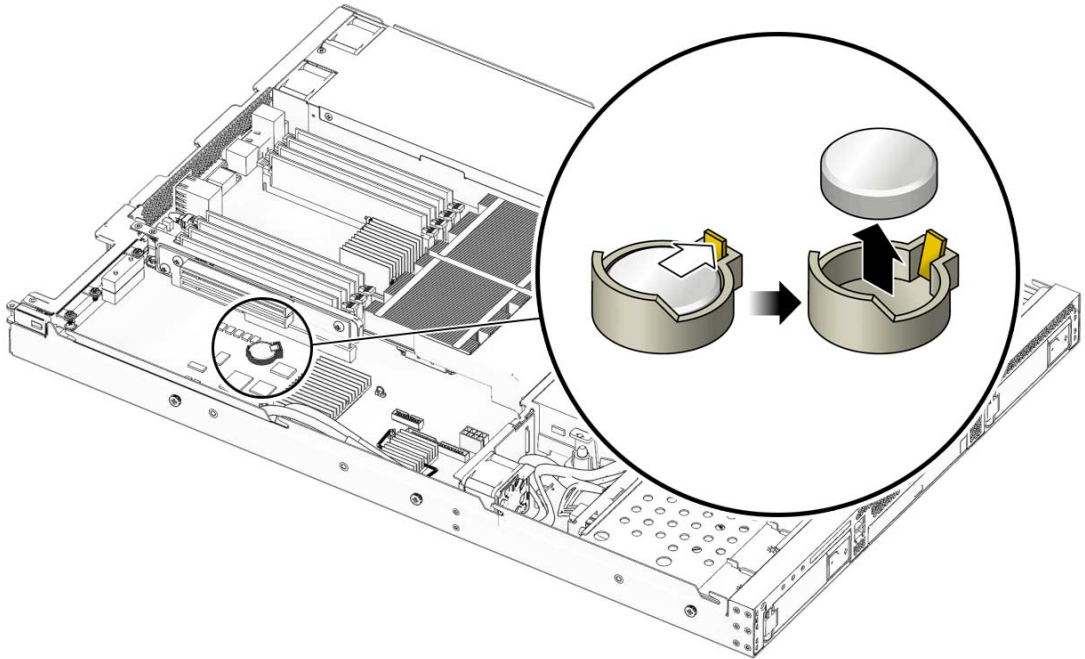
---

### 4.5.11.1 Removing the System Battery

To remove the system battery:

1. **Power off the system and remove the cover as described in [Section 4.3](#), “Powering Off the Server and Removing the Cover” on page 4-3.**
2. **If a PCI-Express card is installed in your server, remove the card as described in [Section 4.5.2](#), “Replacing the PCIe Card and Riser Assembly” on page 4-9.**
3. **Remove the system battery by gently pulling the clip away from the side of the battery and sliding the battery out of the battery holder (see [FIGURE 4-30](#) for the location).**

**FIGURE 4-30** Removing the System Battery



---

**Caution** – Do not dispose of the battery with regular waste. Discard used batteries according to the manufacturer’s instructions or contact your local waste-disposal agency for the location of the nearest battery deposit site.

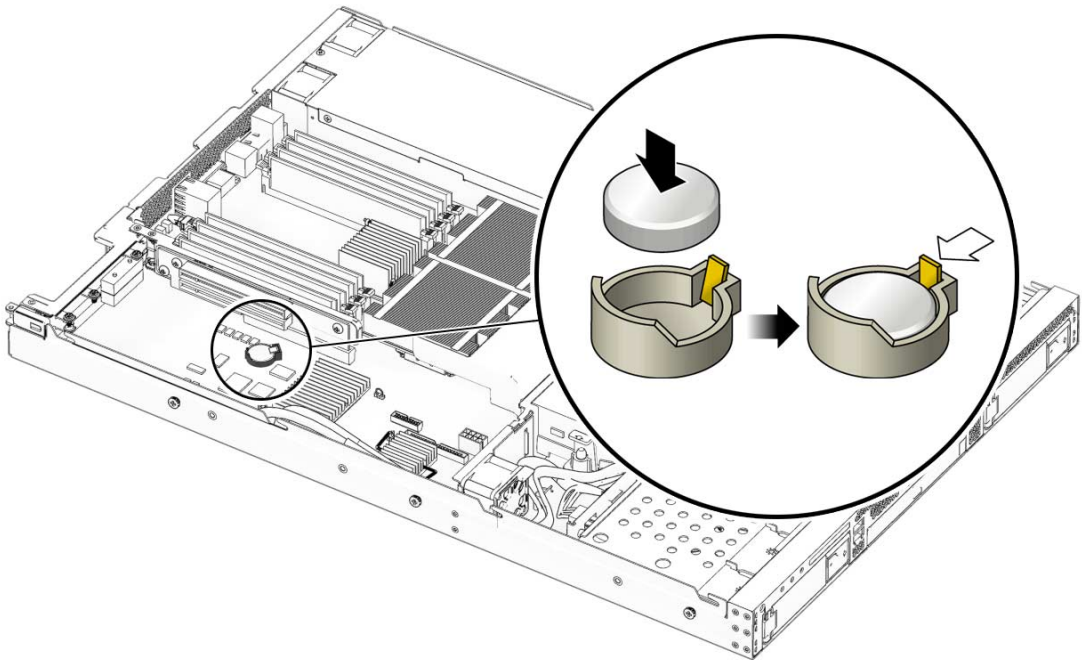
---

## 4.5.11.2 Installing the System Battery

To install the system battery:

1. Insert the new system battery into the battery holder with the side labeled “+” facing upward.

FIGURE 4-31 Installing the System Battery



---

**Note** – Replace the battery only with the identical model.

---

2. Reinstall the PCI-Express card as described in [Section 4.5.2, “Replacing the PCIe Card and Riser Assembly”](#) on page 4-9.
3. Check the routing of all cables for obstructions and then reinstall the cover.

## 4.5.12 Replacing a CPU and Heatsink

The following procedure describes how to replace a CPU. The Sun Fire X2250 server supports both single-CPU and dual-CPU configurations.

---

**Note** – Replacement of a CPU and heatsink should only be done by trained service personnel. If you are adding a second CPU to a single CPU configuration, see [Section 4.5.13, “Installing a New CPU” on page 4-41](#).

---



---

**Caution** – Observe the appropriate ESD precautions in [Section 4.2.1, “ESD Precautions” on page 4-2](#) when handling the CPU.

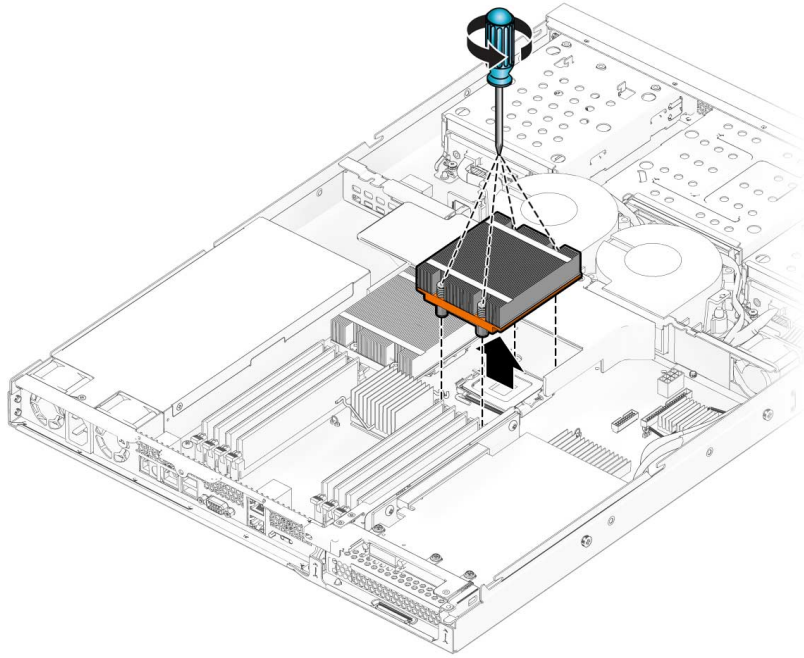
---

### 4.5.12.1 Removing a CPU and Heatsink

To remove a CPU and heatsink:

1. **Power off the system and remove the cover as described in [Section 4.3, “Powering Off the Server and Removing the Cover” on page 4-3](#).**
2. **Unfasten the four screws securing the heatsink to the board (see [FIGURE 4-32](#)).**

**FIGURE 4-32** Removing a Heatsink



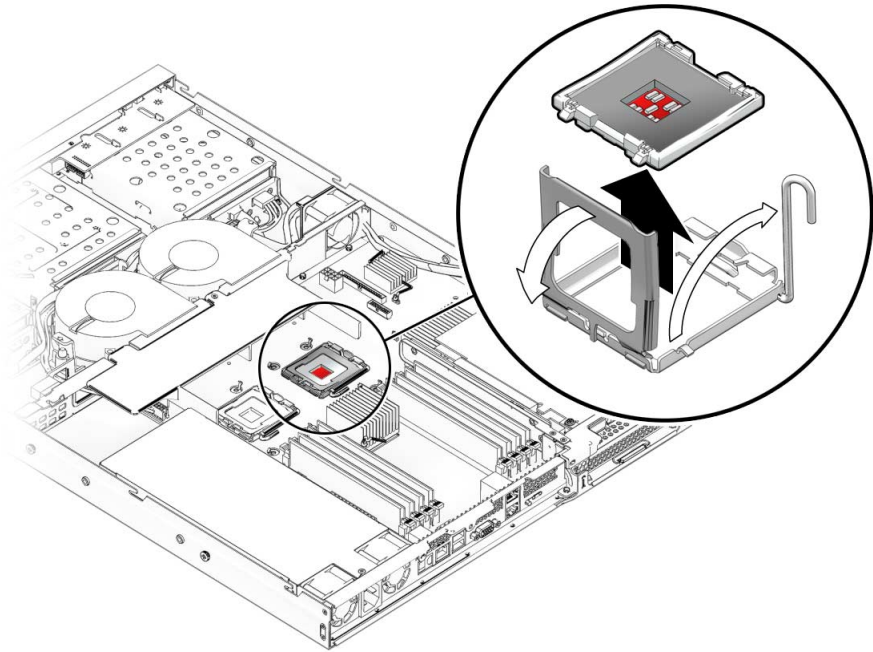
---

**Caution** – The heatsink can become extremely hot. Be sure it has had sufficient time to cool before handling.

---

3. Twist the heatsink slightly to the right or left to break the seal with the thermal grease.
4. Lift the heatsink away from the CPU.
5. Place the heatsink upside-down on a flat surface to prevent the thermal grease from contaminating other components.
6. Pull the socket release lever up to the fully open, perpendicular position.
7. Open the CPU cover.

FIGURE 4-33 Removing the CPU



8. Lift the CPU out of the socket, leaving the release lever in the open position.

---

**Note** – Ensure that no thermal grease that might be left from the heatsink comes into contact with the CPU socket or underside of the CPU chip.

---

#### 4.5.12.2 Installing a Replacement CPU

Follow these steps to install a CPU and heatsink if you are replacing a CPU. If you want to install a new CPU or install a second CPU into a formerly single-CPU system, see [Section 4.5.13, “Installing a New CPU” on page 4-41](#).



---

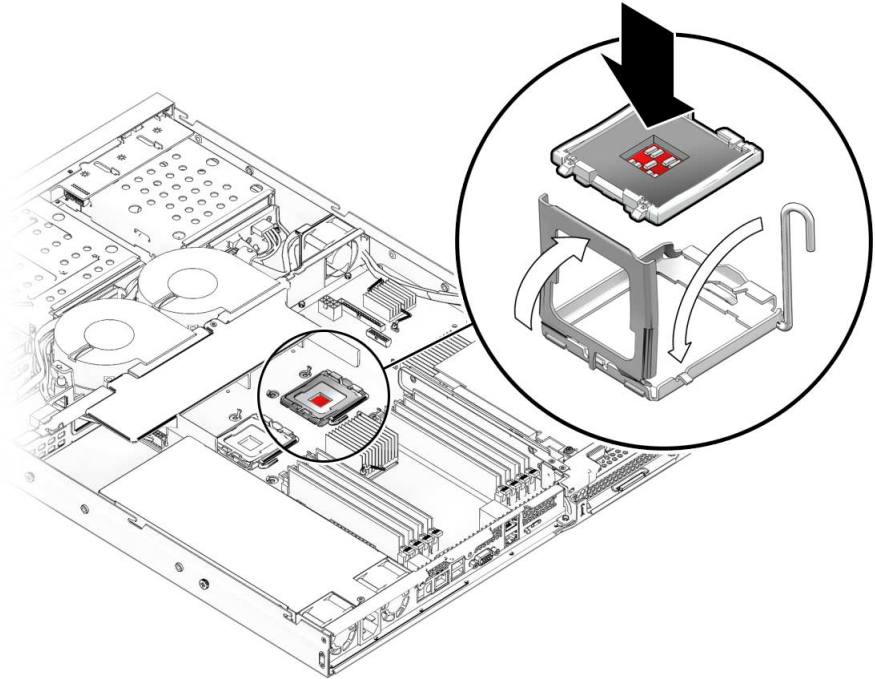
**Caution** – Observe the appropriate ESD precautions in [Section 4.2.1, “ESD Precautions” on page 4-2](#) when handling the CPU.

---

1. Unpack the new CPU.
2. Ensure that the socket release lever is in the fully open, perpendicular position and the CPU cover is open (see [FIGURE 4-34](#)).

3. Align the small triangle, on the upper left corner of the CPU, with the triangle on the corner of the socket.

FIGURE 4-34 Installing the CPU



4. Insert the CPU into the socket.



---

**Caution** – If the CPU is correctly aligned, you should be able to easily insert the CPU into the socket. If you feel more than minimal resistance, stop and recheck the alignment. Forcing a misaligned CPU into the socket can permanently damage the device.

---

5. When the CPU is fully seated in the socket, close the CPU cover.

---

**Note** – The CPU cover might not align correctly with the chip, after it is installed. If this happens, open the cover and push the cover slightly to the side to better align it with the chip, and reclose the cover.

---

6. Rotate the socket release lever down until it snaps into place, securing the CPU in the socket.

7. Use the entire syringe contents to apply thermal grease in a circular pattern to the top of the CPU.

---

**Note** – If you are replacing an existing heatsink with a new heatsink, you do not need to use the syringe to add additional thermal grease to the heatsink, as new heatsinks are pre-greased.

---

8. Gently distribute the thermal grease and remove any excess so that only an extremely thin, uniform layer remains. If any voids or crevices appear that could lead to air pockets, reapply the grease until you achieve a thin but compact consistency.
9. Use an alcohol pad to remove all thermal grease from the bottom of the heatsink.
10. Inspect the heatsink for dust and lint. Clean if necessary.
11. Carefully position the heatsink on the CPU, aligning it with the mounting posts to reduce movement after it makes initial contact with the layer of thermal grease.



---

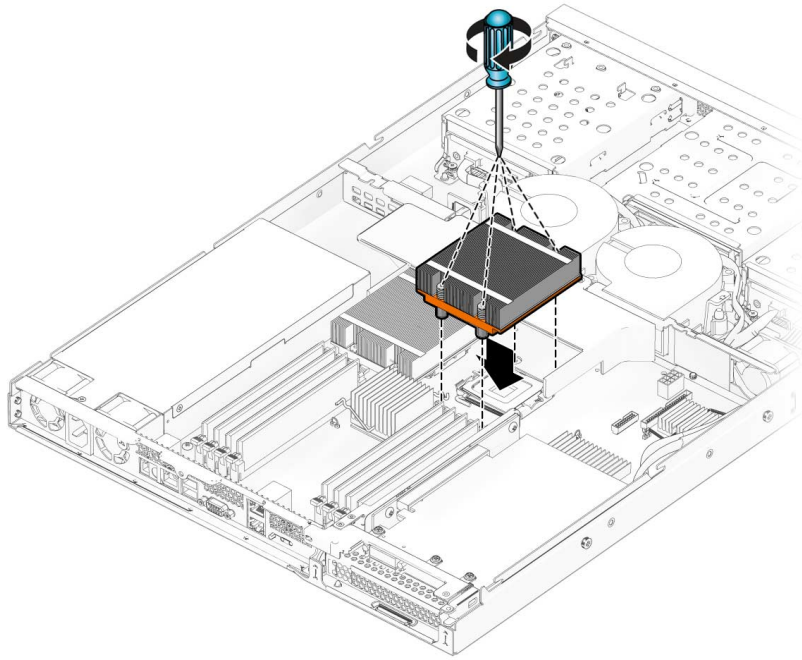
**Caution** – If the heatsink is moved too much during its installation, the layer of thermal grease may become uneven, leading to component damage.

---

12. Fasten the four screws attaching the heatsink to the motherboard. Alternate between the four screws, turning each screw two turns until all are securely fastened. See [FIGURE 4-35](#).



FIGURE 4-35 Installing the Heatsink



13. Reinstall the cover.

## 4.5.13 Installing a New CPU

---

**Note** – Replacement of a CPU and heatsink should only be done by trained service personnel. If you are replacing an already installed CPU, rather than adding a new one, follow the instructions in [Section 4.5.12, “Replacing a CPU and Heatsink”](#) on [page 4-36](#).

---



---

**Caution** – Observe the appropriate ESD precautions in [Section 4.2.1, “ESD Precautions”](#) on [page 4-2](#) when handling the CPU.

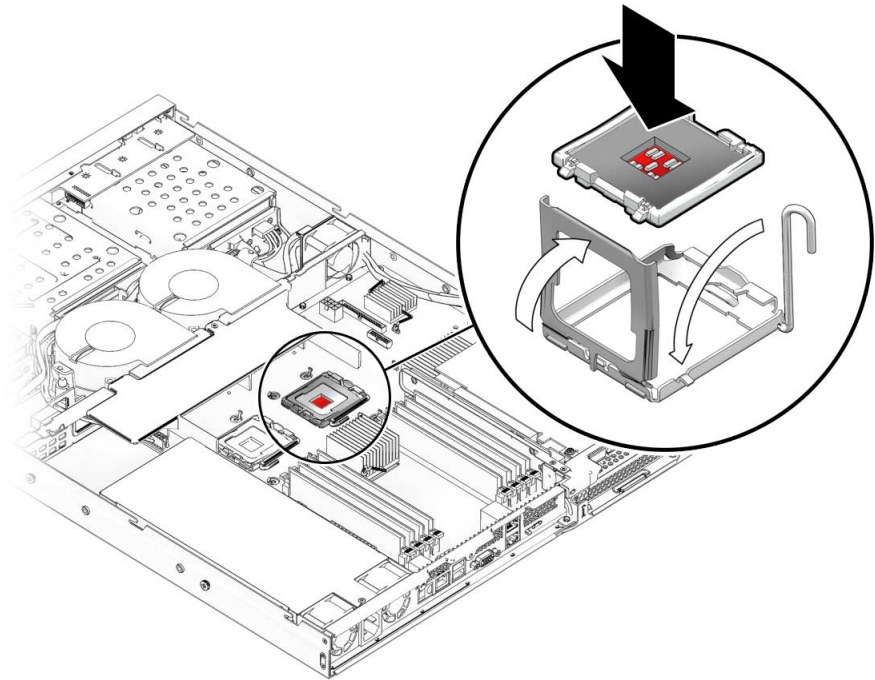
---

To install a new CPU and heatsink:

1. Unpack the new CPU.
2. If you are installing a second CPU into a formerly single-CPU system, you will need to remove the socket cover before installing the new CPU.

3. Ensure that the socket release lever is in the fully open, perpendicular position and the CPU cover is open (see [FIGURE 4-34](#)).
4. Align the small triangle, on the top left corner of the CPU, with the triangle on the corner of the socket.

**FIGURE 4-36** Installing the CPU



5. Insert the CPU into the socket.



---

**Caution** – If the CPU is correctly aligned, you should be able to easily insert the CPU into the socket. If you feel more than minimal resistance, stop and recheck the alignment. Forcing a misaligned CPU into the socket can permanently damage the device.

---

6. When the CPU is fully seated in the socket, close the CPU cover.

---

**Note** – The CPU cover might not align correctly with the chip, after it is installed. If this happens, open the cover and push the cover slightly to the side to better align it with the chip, and reclose the cover.

---

7. Rotate the socket release lever down until it snaps into place, securing the CPU in the socket.
8. Inspect the heatsink for dust and lint. Clean if necessary.
9. Carefully position the heatsink on the CPU, aligning it with the mounting posts to reduce movement after it makes initial contact with the layer of thermal grease.



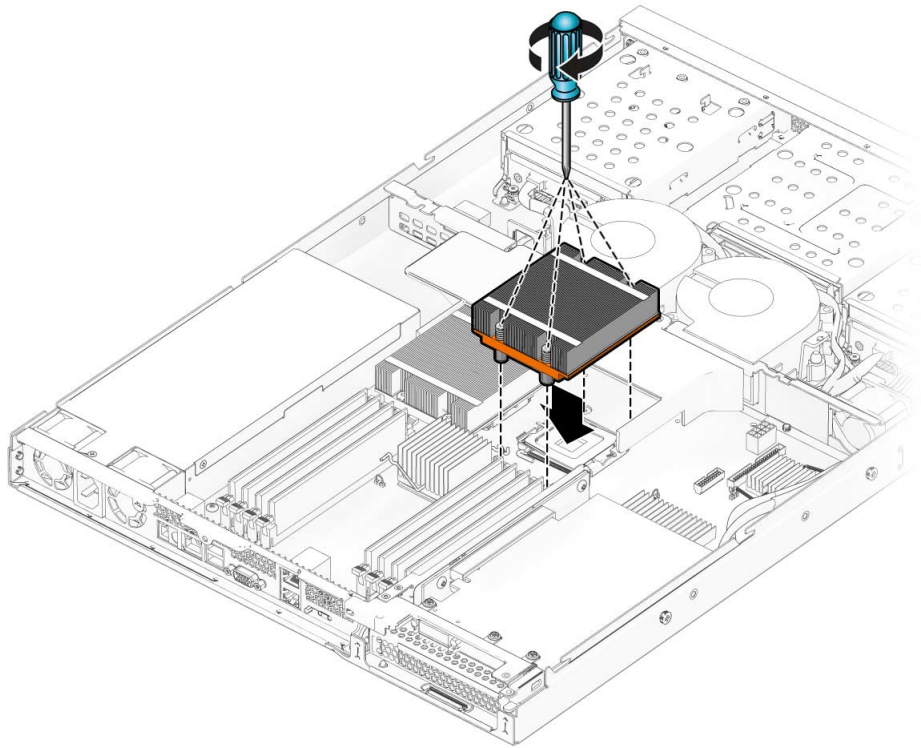
---

**Caution** – If the heatsink is moved too much during its installation, the layer of thermal grease may become uneven, leading to component damage.

---

10. Fasten the four screws attaching the heatsink to the motherboard. Alternate between the four screws, turning each screw two turns until all are securely fastened. See [FIGURE 4-37](#).

**FIGURE 4-37** Installing the Heatsink



11. Reinstall the cover.

## 4.5.14 Replacing Cables

FIGURE 4-38 shows the routing of the cables and motherboard connector locations.

FIGURE 4-38 Cable Routing and Motherboard Cable Connections

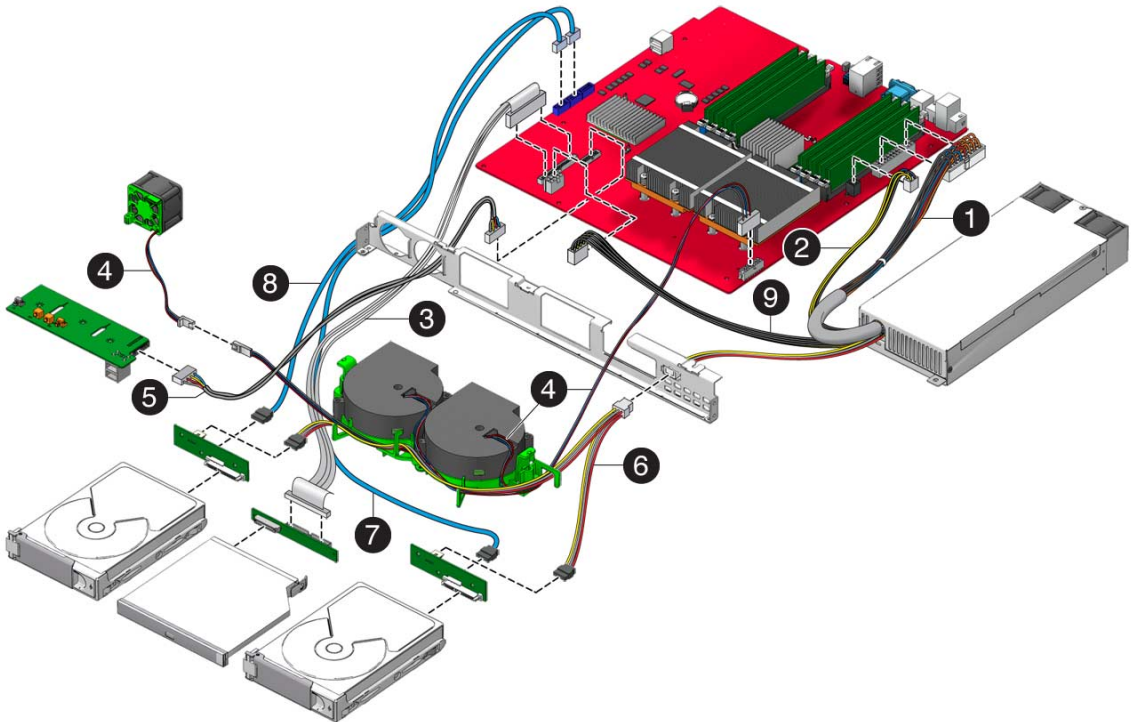


TABLE 4-2 describes the cables that are included with the associated component replacement kits.

TABLE 4-2 Component Kit Cables

Component Kit	Cables Included
Cable kit	ODD signal, hard drive power, I/O board signal, and two SATA signal cables
Dual blower kit	Fan harness
Power supply kit	Power supply cable

TABLE 4-3 describes the motherboard cable connections.

TABLE 4-3 Motherboard Cable Connections

Label		Label	
1	J9C1 - power supply	6	HDD0 and HDD1 - power supply
2	J9E1 - power supply	7	SATA1 - HDD1
3	J2K2 - ODD	8	SATA0 - HDD0
4	JP2 - Blower Module and Fan 0	9	J4K1 - power supply
5	J112 - I/O board		

## 4.5.15 Motherboard

The following procedures describe how to remove and install the Sun Fire X2250 server system motherboard.

---

**Note** – The motherboard is not a CRU and should be replaced only by trained field service technicians.

---

### 4.5.15.1 Removing the Motherboard

To remove the motherboard:

1. **Power off the system and remove the cover as described in Section 4.3, “Powering Off the Server and Removing the Cover” on page 4-3.**
2. **Remove the PCIe card riser assembly installed on the motherboard (see Section 4.5.2, “Replacing the PCIe Card and Riser Assembly” on page 4-9) and the air duct (see Section 4.5.6, “Replacing the Air Duct” on page 4-20).**
3. **Disconnect all cables attached to the motherboard.**
4. **Remove the four screws from the heatsink (4 screws per heatsink installed).**

---

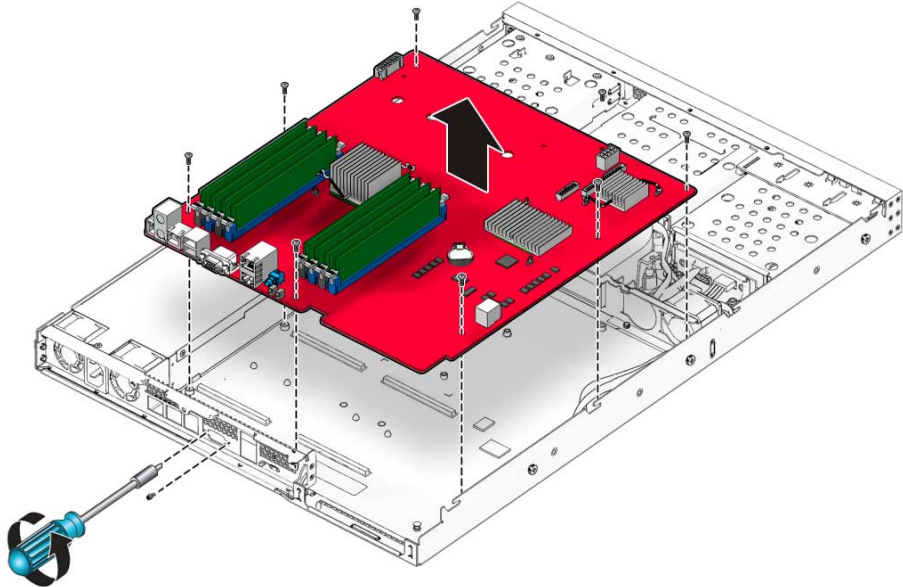
**Note** – Do not remove the screws that secure the CPU heatsink assemblies mounting to the motherboard.

---

5. **Using a Phillips screwdriver, remove the seven Phillips screws that fasten the motherboard to the chassis.**

6. Using a 5-mm nut driver, remove the screws attaching the serial connector to the chassis.

FIGURE 4-39 Removing the Motherboard



7. Pull the motherboard away from the chassis.
8. Remove the CPU and memory modules.

Refer to the following sections for information on removing and replacing the CPU and memory:

- [Section 4.5.12, “Replacing a CPU and Heatsink” on page 4-36](#)
- [Section 4.5.10, “Replacing Memory Modules” on page 4-28](#)

## 4.5.15.2 Installing the Motherboard

To install the motherboard:



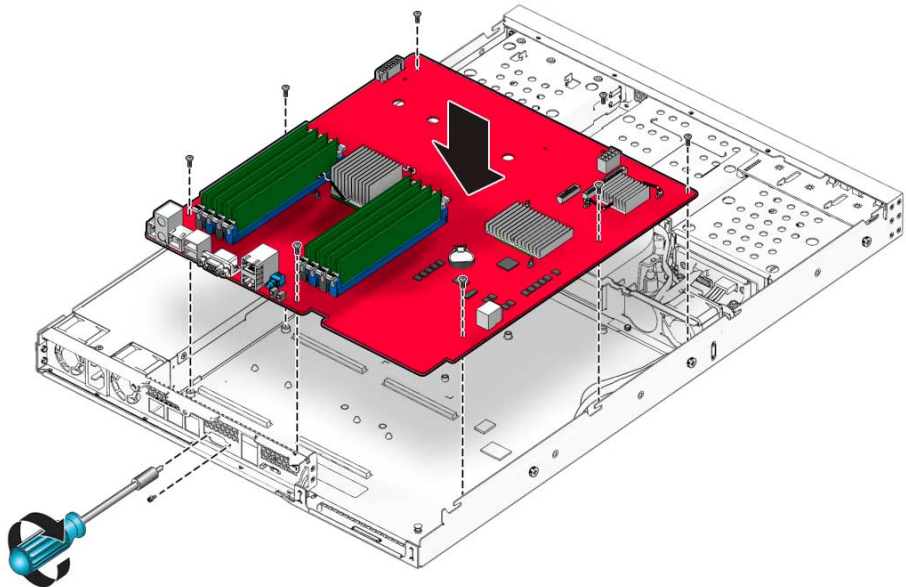
---

**Caution** – Observe proper ESD precautions in [Section 4.2.1, “ESD Precautions” on page 4-2](#) when handling the new motherboard.

---

1. Center the motherboard on the chassis so that the screw holes in the motherboard align with the screw holes on the chassis.
2. Secure the seven Phillips screws that fasten the motherboard to the chassis. Torque screws to 8-9 inch-pounds.
3. Using a 5-mm nut driver, secure the screws attaching the serial connector to the chassis.

**FIGURE 4-40** Installing the Motherboard



4. Replace the CPU and DIMMs as necessary.

Refer to the following sections for information on removing and replacing the CPU and memory:

- Section 4.5.12, “Replacing a CPU and Heatsink” on page 4-36
- Section 4.5.10, “Replacing Memory Modules” on page 4-28

5. Replace the PCIe card riser assembly and air duct.

- See Section 4.5.2, “Replacing the PCIe Card and Riser Assembly” on page 4-9.
- Section 4.5.6, “Replacing the Air Duct” on page 4-20

- 6. Reconnect all internal system cables.**  
See [Section 4.5.14, “Replacing Cables”](#) on page 4-45.
- 7. Replace the system cover.**
- 8. Replace any external cables and power on the server.**







# System Specifications

---

This Appendix contains the following specifications for the Sun Fire X2250 server.

- [Section A.1, “Physical Specifications” on page A-1](#)
- [Section A.2, “Power Specifications” on page A-2](#)
- [Section A.3, “Environmental Specifications” on page A-3](#)
- [Section A.4, “Serial Connector Pin Assignments” on page A-4](#)

---

## A.1 Physical Specifications

[TABLE A-1](#) lists the physical specifications for the Sun Fire X2250 server

**TABLE A-1** Sun Fire X2250 Server Physical Specifications

Specification	British	Metric
Height	1.75 inches	44 mm
Width	16.75 inches	425.5 mm
Depth	26 inches	661 mm
Weight	21.7 lbs (minimum configuration options)	9.84 kg
	27.2 lbs (maximum configuration options)	12.34 kg

## A.2 Power Specifications

Maximum continuous power is 500 W. Other specifications are shown in the following tables.

**TABLE A-2** Input Voltage Range

Voltage Ranges	Minimum	Nominal	Maximum	Units
Range 1	90	115	140	Vms
Range 2	180	230	264	Vms

**TABLE A-3** Input Frequency

Frequency Ranges	Minimum	Nominal	Maximum	Units
Range 1	57	60	63	Hz
Range 2	47	50	53	Hz

**TABLE A-4** AC Input Voltage Rating

Parameter	Minimum	Rated	Maximum
Voltage	90 Vrms	100–240 Vrms	264 Vrms
Frequency	47 Hz	50/60 Hz	63 Hz

**TABLE A-5** Input Current

Current Type	Values
Maximum input current	6.3 Amps max @ 100 Vac; 3.0 Amps max @ 240 Vac, full load
Maximum measured inrush current	34 Amps

## A.3 Environmental Specifications

Environmental specifications for the Sun Fire X2250 server are shown in [TABLE A-6](#).

**TABLE A-6** Sun Fire X2250 Server Environmental Specifications

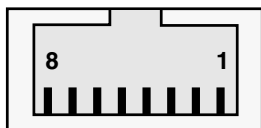
Specification	State	British	Metric
Humidity	Operating	7%–93% RH non-condensing, 80.6° F max wet bulb	7%–93% RH non-condensing, 38° C max wet bulb
	Nonoperating	93% RH, non-condensing, 100.4° F max wet bulb	93% RH, non-condensing, 43° C max wet bulb
Vibration	Operating	0.12 G x-y, 0.17 G z; 5–500 Hz sine	
	Nonoperating	0.3 G x-y, 0.6 G z; 5–500 Hz sine	
Shock	Operating	4.5 G to 3.5 G; 11 msec. half-sine	
Temperature	Operating	36° F to 100° F	2° C to 35° C
	Nonoperating	-40° F to 154° F	-40° C to 68° C
Maximum operating temperature derating		-1.8° F for every 985 ft. in altitude	-1° C for every 300 m in altitude
Altitude	Operating	max 9,843 ft	max 3,000 m

---

## A.4 Serial Connector Pin Assignments

The serial management port connector is an RS-232-F RJ-45 type connector located on the server back panel.

**FIGURE A-1** Serial Management Port Pin Configuration



**TABLE A-7** Serial Management Port Pin Assignments

Pin Number	Pin Name	Description
1	RTS	Ready to send
2	DTR	Data terminal ready
3	TXD	Transmit data
4	GND	Ground
5	GND	Ground
6	RXD	Receive data
7	DSR	Data send ready
8	CTS	Clear to send

## Using the Tools & Drivers CD

---

This chapter contains information about the Sun Fire X2250 Server Tools & Driver CD. It contains information on the following topics:

- [Section B.1, “Tools & Drivers CD Contents” on page B-1](#)
- [Section B.2, “Updating BIOS” on page B-2](#)
- [Section B.3, “Updating SP Firmware” on page B-4](#)
- [Section B.4, “Bootting the Tools & Drivers CD From a PXE Server” on page B-7](#)
- [Section B.5, “Intel PROSET Driver Software” on page B-11](#)
- [Section B.6, “Updating FRU PROM When the System Mainboard is Replaced” on page B-11](#)

---

### B.1 Tools & Drivers CD Contents

The Tools & Drivers CD contains several software applications and utilities for use with your Sun Fire X2250 server. [TABLE B-1](#) lists the contents of the CD and shows where to find more information on the contents.

**TABLE B-1** Tools & Drivers CD Contents

Application	Document or Section in this Document
Drivers and installation scripts for supported operating systems	<i>Sun Fire X2250 Server Operating System Installation Guide</i>
BIOS	<a href="#">Section B.2, “Updating BIOS” on page B-2</a>
SP firmware	<a href="#">Section B.3, “Updating SP Firmware” on page B-4</a>

**TABLE B-1** Tools & Drivers CD Contents (*Continued*)

<b>Application</b>	<b>Document or Section in this Document</b>
Diagnostics software	<a href="#">Chapter 3</a>
Windows RIS files	<i>Sun Fire X2250 Server Operating System Installation Guide</i>
Intel PROSET driver software	<a href="#">Section B.5, “Intel PROSET Driver Software” on page B-11</a>

## B.2 Updating BIOS

You can update the BIOS from the Tools & Drivers CD using the local X2250 server DVD drive, or remotely using the Sun ILOM Remote Console.

### B.2.1 Updating Sun Fire X2250 BIOS Using the DVD Drive

To update the BIOS from the local Sun Fire X2250 server DVD drive:

- 1. Insert the Tools & Drivers CD into the Sun Fire X2250 server DVD drive.**
- 2. Reboot the server.**
- 3. When the Tools & Drivers CD menu is displayed, select Upgrade System BIOS from the menu.**

The BIOS will be updated to the latest version and the system will automatically reboot. The BIOS will automatically load the optimized defaults.

- 4. Verify the BIOS settings.**

Because the BIOS optimized defaults are automatically loaded when the BIOS is flashed, you might need to reset some of the BIOS settings.

For example, if the BIOS was previously modified to support RAID, you must re-enable RAID support in the BIOS after flashing it.



## B.2.2 Updating Sun Fire X2250 BIOS From a Remote Client

The following requirement must be met prior to updating the BIOS on your system.

- Obtain an ISO image of the Sun Fire X2250 Server Tools & Drivers DVD.

You can download an ISO image of the Tools & Drivers DVD at:

<http://www.sun.com/servers/x64/x2250/downloads.jsp>.

---

**Note** – ILOM update does not automatically update the system BIOS. If you need to remotely update the system BIOS, use the procedures in this section to update the system BIOS using the Sun ILOM Remote Console. For more information about redirecting devices to the Sun ILOM Remote Console, see Appendix A, “Sun ILOM Remote Console” in the *Sun Fire X2250 Server Operating Systems Installation Guide* (820-4592).

---

To update the BIOS from a remote client:

1. **If not already downloaded, download the latest Tools & Drivers DVD ISO image from the Sun web site.**
2. **Start the Sun ILOM Remote Console from the ILOM web interface.**
3. **Select Devices -> CD ROM image to load the Tools & Drivers ISO image as the CD ROM device.**
4. **Select Remote Control -> Remote Power Control, then select Power Cycle from the Select Action drop-down list.**
5. **Click Save to power cycle the server.**
6. **When the Tools & Drivers CD menu is displayed, select Upgrade System BIOS from the menu.**

The BIOS will be updated to the latest version and the system will automatically reboot. The BIOS will automatically load the optimized defaults.

---

## B.3 Updating SP Firmware

You can update the SP firmware from the Tools & Drivers CD using one of the following methods:

- [ILOM CLI](#)
- [ILOM Web Interface](#)

To recover a corrupt SP, refer to the *Sun Integrated Lights Out Manager 2.0 User's Guide* (820-1188).

### B.3.1 ILOM CLI

You can update the ILOM SP firmware using ILOM CLI.

#### B.3.1.1 Updating ILOM SP Firmware Using the CLI

##### 1. Set up a TFTP server to host the SP image.

Instructions for setting up the tftp server can be found in the system administration guides for the appropriate Solaris or Linux version:

- Solaris 10 manual at:

<http://docs.sun.com/app/docs/doc/817-5504>

- Red Hat Enterprise Linux 3 manual at:

<http://www.redhat.com/docs/manuals/enterprise/RHEL-3-Manual/sysadmin-guide/>

- Red Hat Enterprise Linux 4 manual at:

<http://www.redhat.com/docs/manuals/enterprise/RHEL-4-Manual/sysadmin-guide/>

- SUSE Linux Enterprise Server 9 manual at:

[http://www.novell.com/documentation/sles9/pdfdoc/sles\\_9\\_admin\\_guide/sles\\_9\\_admin\\_guide.pdf](http://www.novell.com/documentation/sles9/pdfdoc/sles_9_admin_guide/sles_9_admin_guide.pdf)

##### 2. Copy the SP image from the `/remoteflash/version/SP_file` file on the Tools & Drivers CD to your TFTP server `/tftpboot` directory.

Where *version* is the version of the Tools & Drivers CD that you are using and *SP\_file* is the name of the SP image.

For example: `/remoteflash/1.0/x2250-xxx_xxxx.pkg`

3. Ensure that the OS on the platform is shut down.
4. Log in to the Sun Fire X2250 ILOM CLI with Administrator privileges.
5. Type the following command to download the new ILOM SP firmware image:

```
-> load -source tftpURL
```

For example:

```
-> load -source tftp://<ipaddress>/x2250-xxx_xxxx.pkg
```

6. Type **y** to load the specified file.
7. Type **y** to preserve your ILOM configuration settings. If not, the settings will be overwritten by the firmware default.

The ILOM SP firmware is updated.

---

**Note** – During the upgrade process, the login prompt will appear. Do not attempt to log in until the flash update has completed.

---

## B.3.2 ILOM Web Interface

You can update ILOM SP firmware using the ILOM web interface to flash the SP. See the *Sun Integrated Lights Out Manager 2.0 User's Guide* (820-1188) for more information on setting up and using the ILOM software.

### B.3.2.1 Updating SP Firmware

1. Start the ILOM SP web interface by typing the IP address of the SP into a browser.
2. Copy the file `/remoteflash/version/SP_file` from the `remoteflash` directory located on the Tools & Drivers CD to the remote system that is running the ILOM web interface.

Where *version* is the version of the Tools & Drivers CD that you are using and *SP\_file* is the name of the SP image.

For example: `/remoteflash/1.0/x2250-xxx_xxxx.pkg`

3. Ensure that the OS on the platform is shut down
4. Log in to the SP ILOM web interface with Administrator privileges.

**5. Select Maintenance --> Firmware Upgrade tabs.**

The Firmware Upgrade page appears.

**6. Click Enter Upgrade Mode.**

A dialog box appears asking you to confirm that you want to enter Upgrade mode.

**7. Click OK to enter Upgrade mode or Cancel to exit the process.**

ILOM stops its normal operation and prepares for a flash upgrade.

**8. Enter the path to the new ILOM flash image file in the Select Image File to Upload field or click Browse to locate and select the firmware update file.**

Files with either .pkg or .ima extensions can be used; the .pkg extension is preferred.

**9. Click Upload or Cancel to exit the process.**

The selected file is uploaded and verified as the correct image update for your SP. This process takes about one minute with a fast network connection.

**10. When the Verify Firmware Image page appears, click OK**

**11. Select Preserve Configuration to keep your ILOM settings. If not, the settings will be overwritten by the firmware defaults.**

**12. Click Start Upgrade or click Cancel to exit the process**

When you click Start Upgrade, a progress screen indicates that the firmware image is being updated. Once the update progress reaches 100%, the firmware update is complete.

When the update is complete, the system *automatically* reboots.

**13. After the SP finishes rebooting, use your browser to reconnect to ILOM.**

---

## B.4 Booting the Tools & Drivers CD From a PXE Server

If you have a Sun Fire X2250 server that does not have a DVD drive, you can run the Pc-Check diagnostics and flash the BIOS from a Preboot Execution Environment (PXE) server.

The following topics are included in this section:

- Section B.4.1, “Setting up the Tools & Drivers CD Image on the PXE Server” on page B-7
- Section B.4.2, “Accessing the Tools & Drivers CD From the Target Sun Fire X2250 Server” on page B-10

### B.4.1 Setting up the Tools & Drivers CD Image on the PXE Server

You will need the following to set up the PXE server:

- Red Hat KickStart server with a CD or DVD drive

Instructions for setting up the Red Hat KickStart server can be found in the system administration guides for Red Hat Enterprise Linux:

- Red Hat Enterprise Linux 3 manual at  
<http://www.redhat.com/docs/manuals/enterprise/RHEL-3-Manual/sysadmin-guide/>
- Red Hat Enterprise Linux 4 manual at  
<http://www.redhat.com/docs/manuals/enterprise/RHEL-4-Manual/sysadmin-guide/>
- Sun Fire X2250 Server Tools & Drivers CD
- MEMDISK kernel from the SYSLINUX project. Access this kernel at  
<http://www.kernel.org/pub/linux/utils/boot/syslinux/>

#### B.4.1.1 Setting Up the PXE Server

1. **Log in to the PXE server as root (superuser).**
2. **Determine the directory where the Red Hat image is installed on the PXE server.**

The default directory for the PXE image is usually `/tftpboot/linux-install`. The remainder of this procedure assumes that the PXE files have been installed in this directory.

---

**Note** – If your PXE files are not installed in the `/tftpboot/linux-install` directory, modify the procedure as necessary.

---

**3. Make a directory for the Sun Fire X2250 Server Tools & Drivers CD contents.**

```
# mkdir /tftpboot/linux-install/suppl_ven
```

**4. Insert the Sun Fire X2250 Server Tools & Drivers CD into the PXE server, and copy the `boot.img` file located in the root directory of the CD to the new Sun Fire X2250 server supplemental directory created in [Step 3](#).**

```
# cp /mnt/cdrom/boot.img /tftpboot/linux-install/suppl_ven
```

**5. Download the MEMDISK kernel.**

**a. Go to the latest SYSLINUX project web site at:**

<http://www.kernel.org/pub/linux/utils/boot/syslinux/>

**b. Save the latest `syslinux-version.zip` file to your root directory.**

Where *version* is the latest SYSLINUX project version.

---

**Note** – Version 3.09 was the latest version at the time of this writing.

---

**6. Unzip the zip file.**

For example:

```
# unzip syslinux-3.09.zip
```

**7. Change to the `memdisk` directory.**

For example:

```
# cd /syslinux-3.09/memdisk
```

**8. Copy the `memdisk` kernel to the new Sun Fire X2250 Server Tools & Drivers Directory created in [Step 3](#).**

For example:

```
# cp /syslinux-3.09/memdisk/memdisk /tftpboot/linux-install/suppl_ven
```

9. Edit the Boot Message Screen as follows.

a. Open the `boot.msg` file in a text editor.

```
# vi /tftpboot/linux-install/msgs/boot.msg
```

b. Type the following line after `0-Local Machine`.

```
suppl_tau - Sun Fire X2250 Server Tools & Drivers CD
```

c. Save and close the `boot.msg` file.

10. Edit the default PXE Configuration file as follows.

a. Open the default file in a text editor.

```
# vi /tftpboot/linux-install/pxelinux.cfg/default
```

b. Type the following lines after the `label0` section:

```
label suppl_ven
kernel suppl_tau/memdisk
append initrd=suppl_tau/boot.img
```

c. Save and close the `default` file.

11. Test the installation on the test machine.

## B.4.2 Accessing the Tools & Drivers CD From the Target Sun Fire X2250 Server

You will need the following to run diagnostics on a target Sun Fire X2250 server:

- PXE server configured as shown in [Section B.4.1, “Setting up the Tools & Drivers CD Image on the PXE Server”](#) on page B-7.
- Sun Fire X2250 server set up on the same network as the PXE server.

### B.4.2.1 Accessing the Tools & Drivers CD From the Target Server

1. **Connect the Sun Fire X2250 server to the same network as the PXE server.**
2. **Power on (or reboot) the Sun Fire X2250 server.**
3. **Press the F12 key during POST.**
4. **The Boot Message Screen located on your PXE server at `/tftpboot/linux-install/mgs/boot.msg` displays on the screen.**
5. **Type `suppl_ven` at the prompt and press Enter.**

The MEMDISK kernel and the bootable portion of the Tools & Drivers CD are downloaded to the test machine over the network and into memory.

Once downloaded, the bootable portion of the Tools & Drivers CD will be booted.

6. **The main menu of the bootable portion of the Tools & Drivers CD is displayed on the target Sun Fire X2250 server.**
7. **You can now run the hardware diagnostics or update the system BIOS.**

See [Chapter 3](#) in this document for information on running Pc-Check diagnostics software.



---

## B.5 Intel PROSET Driver Software

Included on the Tools & Drivers CD is a driver software package for the Intel network interface card (NIC). After installing the Windows Server 2003 OS on the X2250 server, you must install the NIC driver software.

If auto insert notification is enabled (default in Windows 2003), the NIC driver software package is automatically installed on your server when the CD is inserted into the DVD-ROM drive. If you need to reinstall or update the NIC driver software, perform the following procedures.

### B.5.1 Installing the Intel PROSET Driver Software

1. **Insert the Tools & Drivers CD into the server DVD-ROM drive.**

The system device driver autorun program automatically launches the X2250 Tools & Drivers wizard.

2. **In the X2250 Tools & Drivers wizard, select Install and Update System Device Drivers.**

The Intel NIC drivers are automatically installed on the server.

---

## B.6 Updating FRU PROM When the System Mainboard is Replaced

When a system is built at the factory, the system serial number (SSN) and ordered product part number (PPN) are entered into the mainboard FRU PROM before the unit ships. When a mainboard is replaced in the field, the new board will not contain the SSN and PPN. As a result, ILOM will incorrectly display system FRU information.

SSN and PPN values must be transferred into the replacement mainboard before ILOM will correctly display any system FRU information. The procedure to transfer SSN and PPN values into the replacement mainboard is as follows.

1. **Locate the System Serial Number (SSN) on the front chassis label (or from either ILOM or `sdfdu -l` before the mainboard is replaced).**

2. Locate the Product Part Number (PPN) from the CIS sheet (or from either ILOM or sdfru -l before the mainboard is replaced).
3. Mount and boot the Tools & Drivers ISO. See [“Booting the Tools & Drivers CD From a PXE Server”](#) on page 7.

4. After the ISO has booted to the DOS prompt, run the following commands using the correct parameters for -ppn and -ssn:

```
cd flash\sdfru
sdfru -m3 -ppn PPPPPPPPPP -ssn XXXXXXXXXXXX
```

Where XXXXXXXXXXXX is the system serial number obtained in step 1

Where PPPPPPPPPP is the product part number obtained in step 2

- a. In the unlikely event of a programming error in [Step 4](#), the entire FRU PROM may need to be reprogrammed which involves two separate steps as shown in the commands below.

- i. sdfru -m1 -i x2250fru.bin -vid 04CE -hwrev 01 -fsn  
2029QTF-XXXXXXXXXX -bmc mac BMC MAC -mac HOSTMAC

Where 2029QTF-XXXXXXXXXX is the mainboard serial number from the label on the mainboard

Where BMC MAC is the MAC address of the service processor (ILOM) found on the front chassis label

Where HOSTMAC is the MAC base address of the host found on the front chassis label

- ii. sdfru -m3 -ppn PPPPPPPPPP -ssn XXXXXXXXXXXX

---

**Note** – Reprogramming is not normally required, but the procedure is included for reference.

---

5. Reboot the service processor (ILOM) then the host in that order. Or you can AC power cycle the entire system making sure that the AC power cord is removed for 10 seconds or longer before plugging it back in.

## Installing the Server Into a Rack With Optional Slide Rails

---

Perform the procedures in this chapter to install your server into a four-post rack using the orderable slide rail and cable management arm options. These slide rails are compatible with a wide range of equipment racks that meet the following standards:

- Four-post structure (mounting at both front and rear). Two-post racks are not compatible.
- Rack horizontal opening and unit vertical pitch conforming to ANSI/EIA 310-D-1992 or IEC 60927 standards.
- Distance between front and rear mounting planes of 610 mm and 915 mm (24 inches to 36 inches).
- Clearance depth (to front cabinet door) in front of front rack mounting plane at least 25.4 mm (1 inch).
- Clearance depth (to rear cabinet door) behind front rack mounting plane at least 800 mm (31.5 inches) with the cable management arm, or 700 mm (27.5 inches) without the cable management arm.
- Clearance width (between structural supports and cable troughs) between front and rear mounting planes at least 456 mm (18 inches).



---

**Caution** – Always load equipment into a rack from the bottom up so that it will not become top-heavy and tip over. Deploy your rack’s anti-tilt bar to prevent the rack from tipping during equipment installation.

---



---

**Caution** – Ensure that the temperature in the rack does not exceed the server’s maximum ambient rated temperatures. Consider the total airflow requirements of all equipment installed in the rack, to ensure that the equipment is operated within its specified temperature range.

---

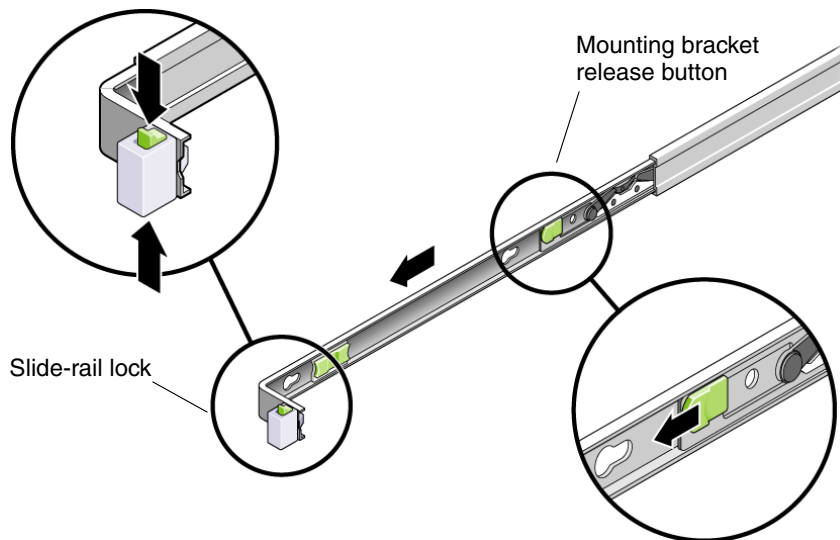
---

## C.1 Disassembling the Slide Rails Before Installation

Use this procedure to remove the mounting brackets from the slide-rail assemblies.

1. **Unpack the slide rails.**
2. **Locate the slide rail lock at the front of one of the slide rail assemblies, as shown in [FIGURE C-1](#).**
3. **Squeeze and hold the tabs at the top and bottom of the lock while you pull the mounting bracket out of the slide-rail assembly until it reaches the stop. (See [FIGURE C-1](#)).**
4. **Push the mounting bracket release button toward the front of the mounting bracket, as shown in [FIGURE C-1](#), and simultaneously withdraw the mounting bracket from the slide-rail assembly.**
5. **Repeat for the remaining slide-rail assembly.**

**FIGURE C-1** Disassembling the Slide Rail Before Installation



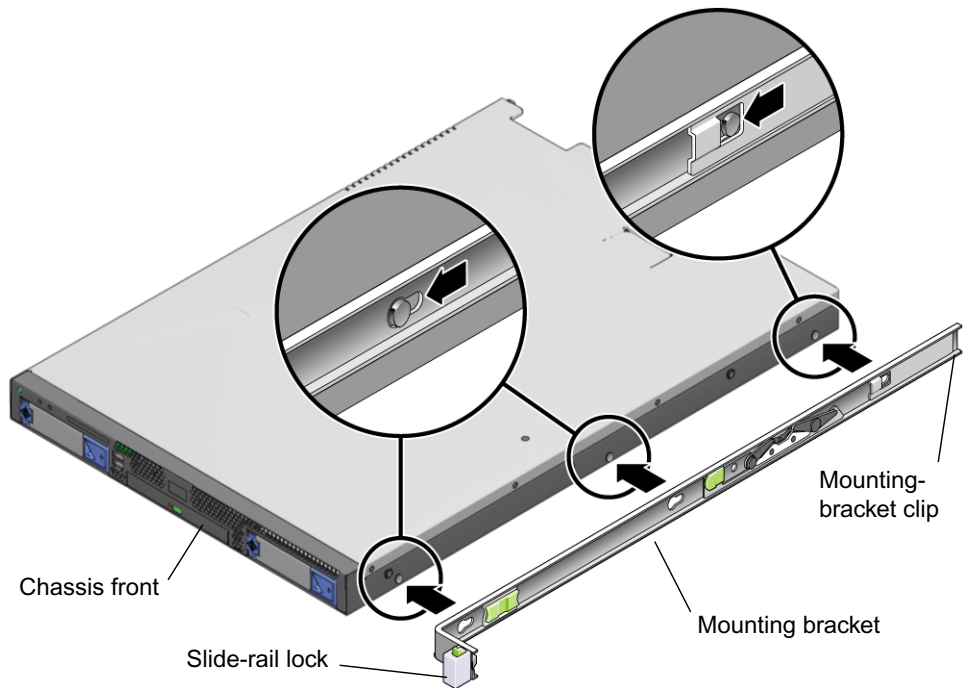
---

## C.2 Installing the Mounting Brackets Onto the Server

Use this procedure to install the mounting brackets onto the sides of the server.

1. Position a mounting bracket against the chassis so that the slide-rail lock is at the server front, and the three keyed openings on the mounting bracket are aligned with the three locating pins on the side of the chassis.

**FIGURE C-2** Aligning the Mounting Bracket With the Server Chassis



2. With the heads of the three chassis locating pins protruding through the three keyed openings in the mounting bracket, push the mounting bracket toward the front of the chassis until the mounting-bracket clip locks into place with an audible click. (See [FIGURE C-2](#).)
3. Verify that the rear locating pin has engaged the mounting-bracket clip. (See [FIGURE C-2](#).)

4. Repeat Steps 1 through 3 to install the remaining mounting bracket on the other side of the server.

---

## C.3 Attaching the Slide-Rail Assemblies to the Rack

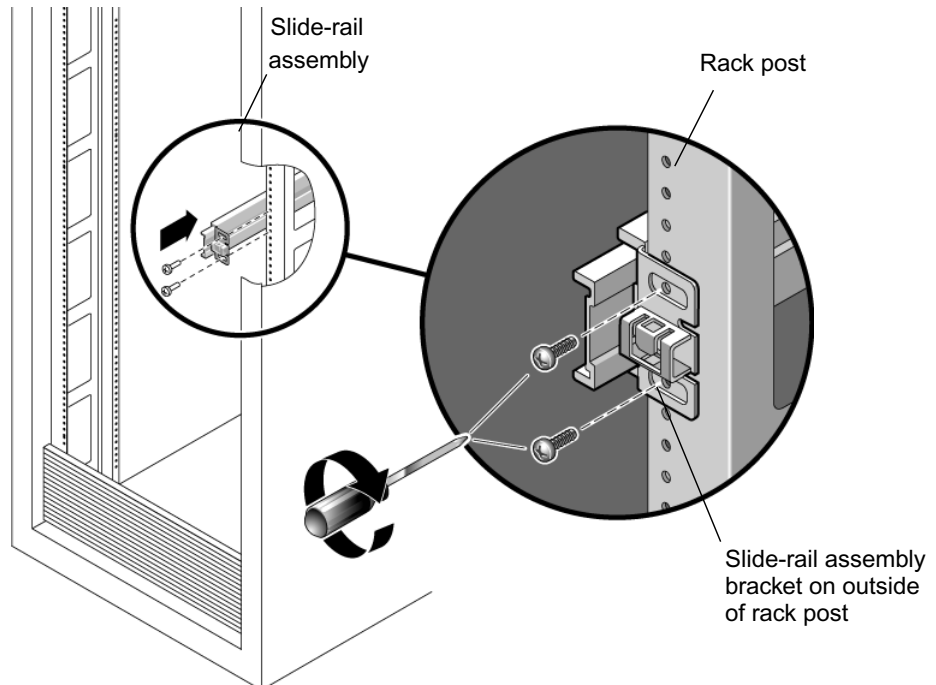
Use this procedure to install the slide-rail assemblies to the rack.

1. **Position a slide-rail assembly in your rack so that the brackets at each end of the slide-rail assembly are on the outside of the front and rear rack posts. (See [FIGURE C-3](#).)**
2. **Attach the slide-rail assembly to the rack posts, but do *not* tighten the screws completely.**

The method used to attach the slide rails varies, depending on the type of rack:

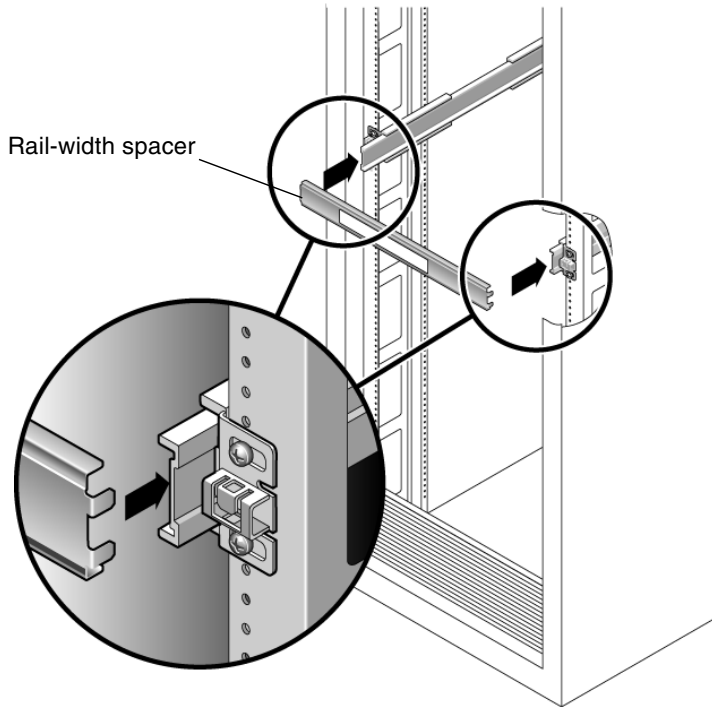
- If your rack has threaded mounting holes in the rack posts, first determine whether the threads are metric or standard, then insert the correct mounting screws through the slide-rail brackets and into the threaded holes.
- If your rack does not have threaded mounting holes, insert the mounting screws through both the slide-rail brackets and rack posts, then secure them with the caged nuts.

**FIGURE C-3** Slide-Rail Assembly Mounting to Rack Post



3. Repeat [Step 1](#) and [Step 2](#) for the remaining slide-rail assembly.
4. From the front of the rack, set the proper width of the rails with the spacer. (See [FIGURE C-4](#).)

**FIGURE C-4** Setting the Rail Width

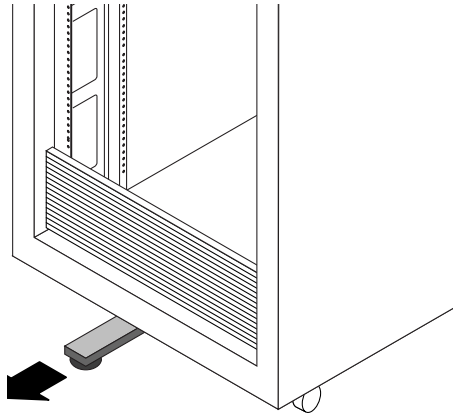


5. Tighten the screws on the brackets.
6. Remove the spacer and confirm that the rails are attached tightly to the rack.
7. Repeat [Step 4](#) through [Step 6](#) for rear of the rack.



8. If available, extend the anti-tilt bar at the bottom of the rack. (See [FIGURE C-5.](#))

**FIGURE C-5** Extending the Anti-tilt Bar



---

**Caution** – If your rack does not have an anti-tilt bar, there is some danger of the rack tipping.

---

---

## C.4 Installing the Server Into the Slide-Rail Assemblies

Use this procedure to install the server chassis, with mounting brackets, into the slide-rail assemblies that are mounted to the rack.



---

**Caution** – This procedure requires a minimum of two people because of the weight of the server. Attempting this procedure alone could result in equipment damage or personal injury.

---



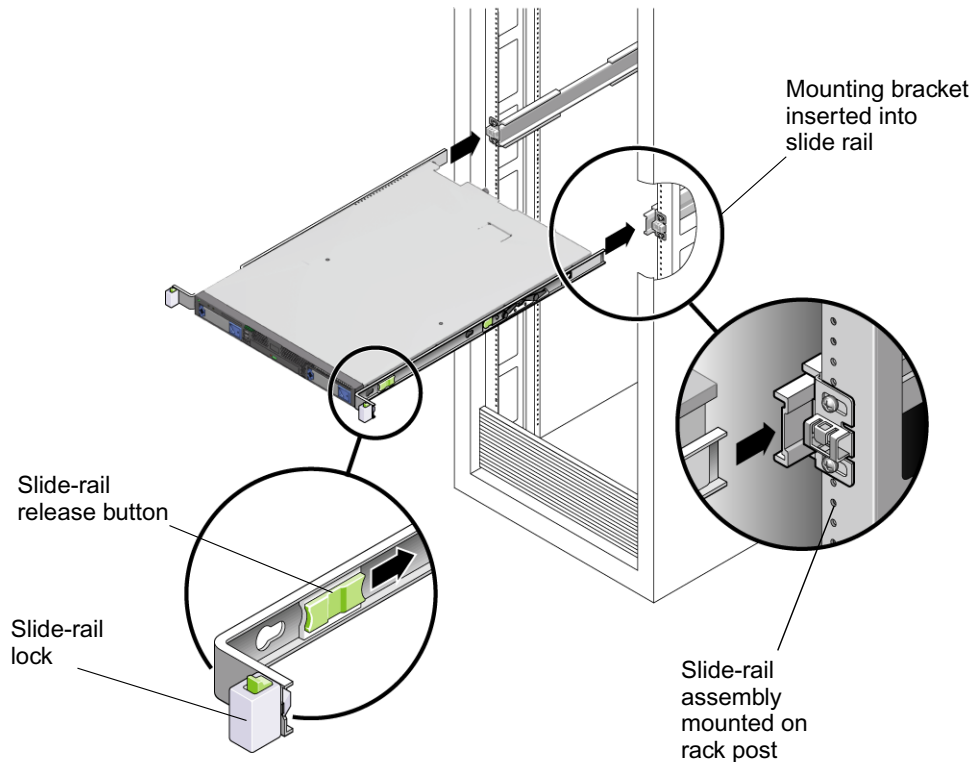
---

**Caution** – Always load equipment into a rack from the bottom up so that it will not become top-heavy and tip over. Deploy your rack's anti-tilt bar to prevent the rack from tipping during equipment installation.

---

1. Push the slide rails into the slide-rail assemblies in the rack as far as possible.
2. Raise the server so that the rear ends of the mounting brackets are aligned with the slide-rail assemblies that are mounted in the equipment rack. (See [FIGURE C-6](#).)
3. Insert the mounting brackets into the slide rails, then push the server into the rack until the mounting brackets encounter the slide-rail stops (approximately 12 inches, or 30 cm).

**FIGURE C-6** Inserting the Server With Mounting Brackets Into the Slide Rails



4. Simultaneously push and hold the slide-rail release buttons on each mounting bracket while you push the server into the rack. (See [FIGURE C-6](#).) Continue pushing until the slide-rail locks on the front of the mounting brackets engage the slide-rail assemblies.

You will hear an audible click.



---

**Caution** – Verify that the server is securely mounted in the rack and that the slide-rails locks are engaged with the mounting brackets before continuing.

---

---

## C.5 Installing the Cable Management Assembly

Use this procedure to install an optional cable management assembly (CMA).

1. **Unpack the CMA parts.**
2. **Take the CMA to the back of the equipment rack and ensure that you have adequate room to work around the back of the server.**

---

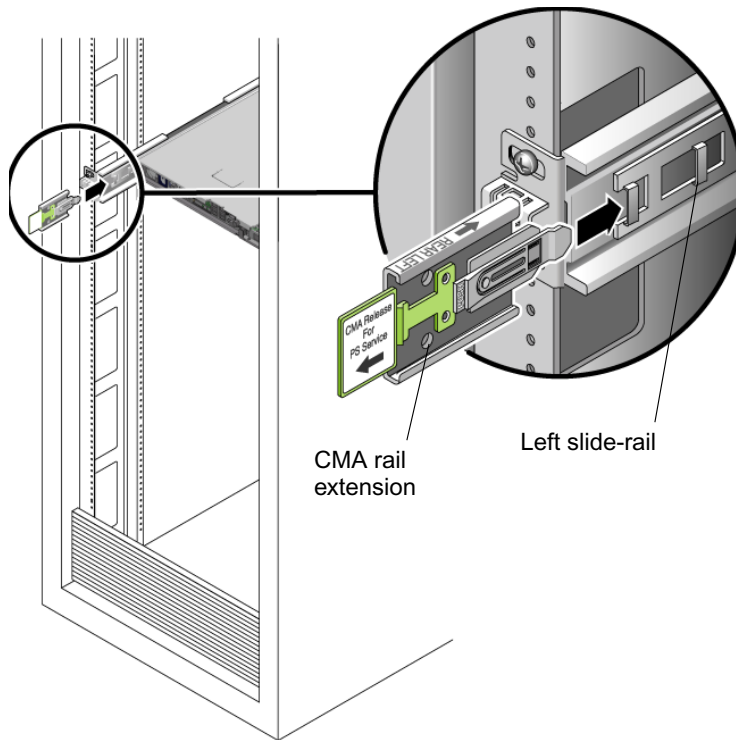
**Note** – References to “left” or “right” in this procedure assume that you are facing the back of the equipment rack.

---

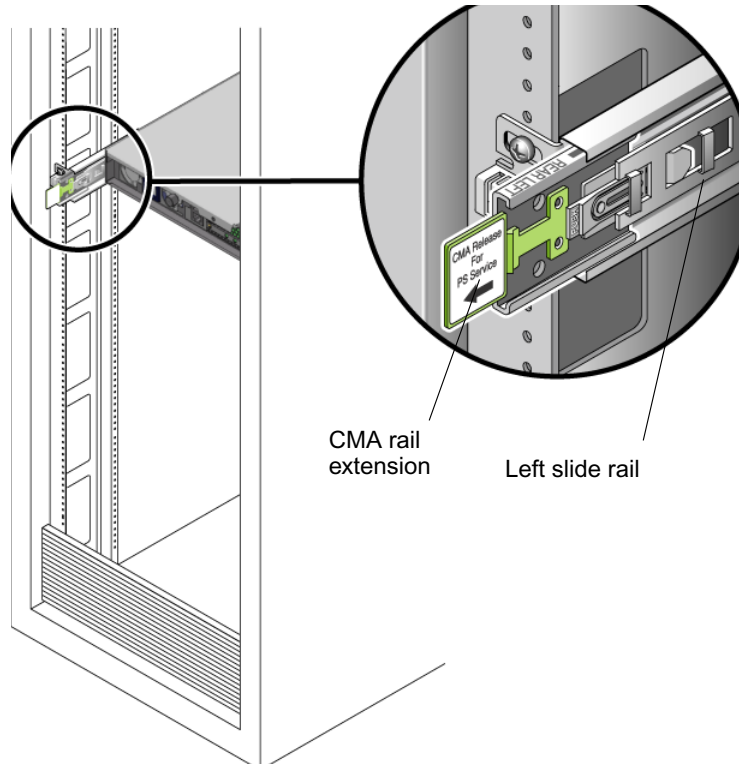
3. **Locate the CMA rail extension and insert it into the left slide rail until the extension locks into place with an audible click. (See [FIGURE C-7.](#))**

The CMA rail extension might be taped to the CMA assembly.

**FIGURE C-7** Inserting the CMA Rail Extension Into the Back of the Left Slide Rail



4. Verify that the CMA rail extension engages the slide rail, as shown in [FIGURE C-8](#).



**FIGURE C-8** Detail of CMA Rail Extension Inserted Into the Left Slide Rail

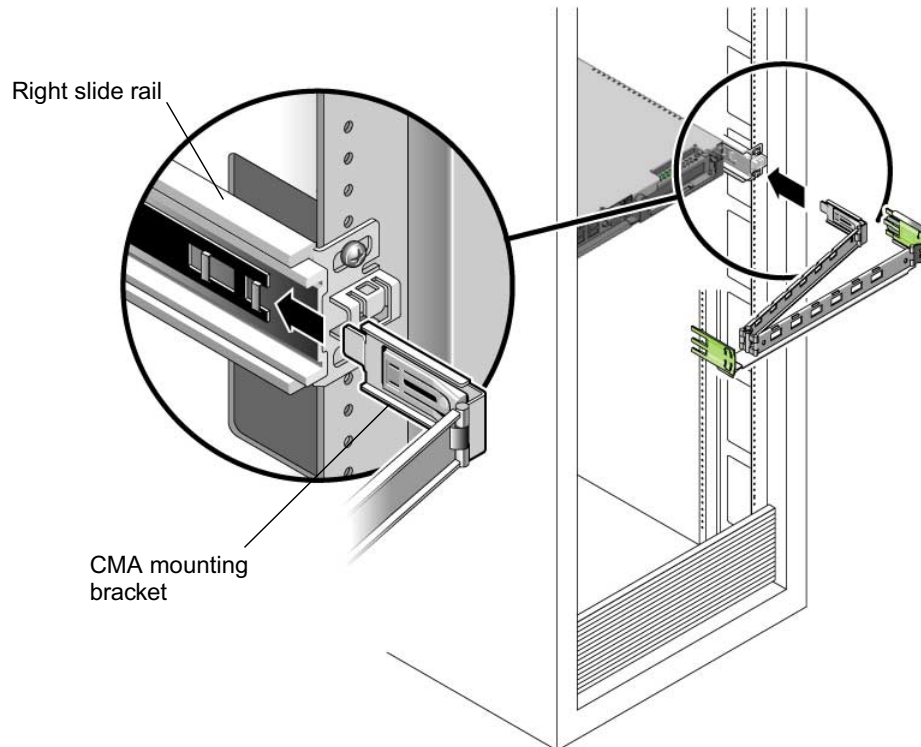
---

**Note** – Support the CMA in the remaining installation steps. Do not allow the assembly to hang by its own weight until it is secured by all three of the attachment points.

---

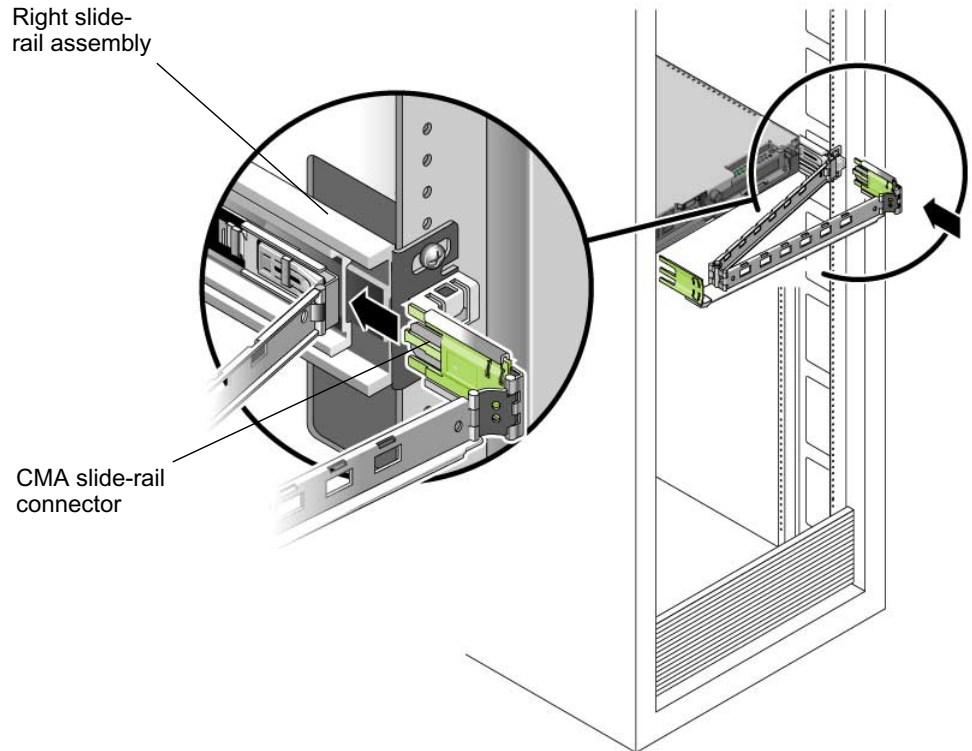
5. Insert the CMA's mounting bracket connector into the right slide rail until the connector locks into place with an audible click. (See [FIGURE C-9](#).)

**FIGURE C-9** Inserting the CMA Mounting Bracket Into the Back of the Right Slide Rail



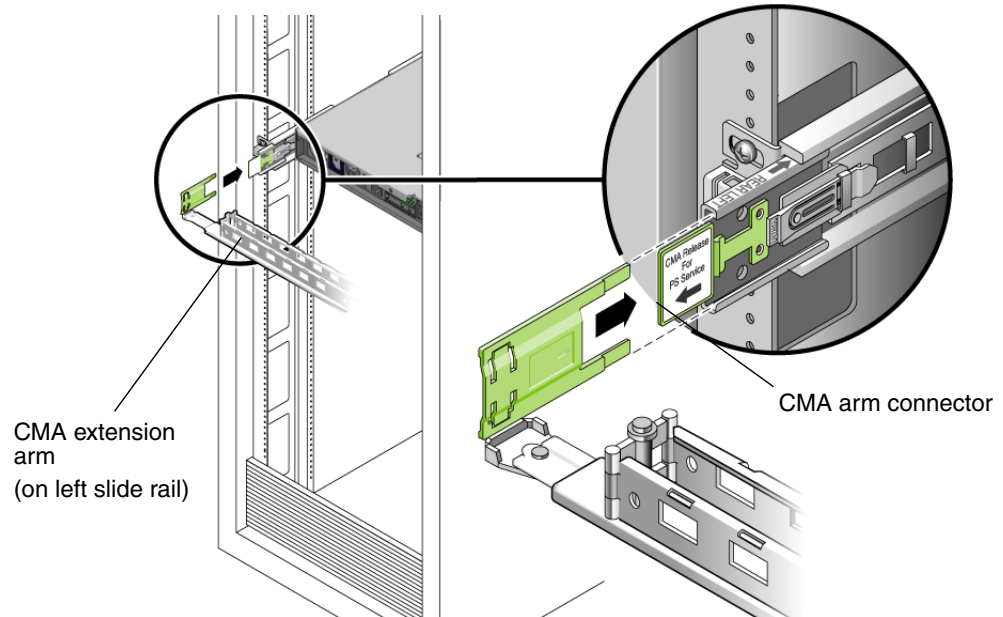
6. Insert the right CMA slide-rail connector into the right slide-rail assembly until the connector locks into place with an audible click. (See [FIGURE C-10](#).)

**FIGURE C-10** Inserting CMA Slide-Rail Connector Into Back of Right Slide-Rail Assembly



7. Insert the left CMA slide-rail connector into the rail extension on the left slide-rail assembly until the connector locks into place with an audible click. (See [FIGURE C-11.](#))

**FIGURE C-11** Connecting the CMA Arm to Rail Extension Connector

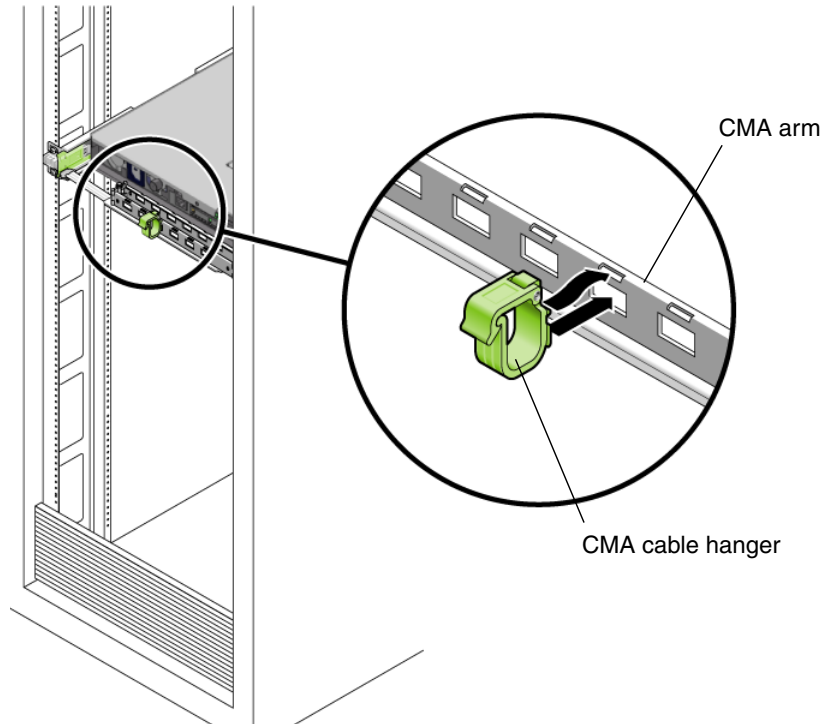




8. Position the cable hangers in the appropriate mounting holes in the CMA and snap them into place. (See [FIGURE C-12](#).)

For best results, place three hangers, evenly spaced, on the rear-facing side of the CMA and three on the side facing the server.

**FIGURE C-12** Installing CMA Cable Hangers



9. Install cables to your server, as required.
10. Route the cables through the CMA cable hangers.

---

## C.6 Verifying Operation of the Slide Rails and CMA

Use this procedure to ensure that the slide rails and CMA are operating correctly.

---

**Note** – Two people are recommended for this procedure: one to move the server in and out of the rack, and one to observe the cables and CMA.

---

1. Slowly pull the server out of the rack until the slide rails reach their stops.
2. Inspect the attached cables for any binding or kinks.
3. Verify that the CMA extends fully from the slide rails.
4. Push the server back into the rack, as described below.

When the server is fully extended, you must release two sets of slide-rail stops to return the server to the rack:

- a. The first set of stops are levers, located on the inside of each slide rail, just behind the back panel of the server. These levers are labeled "PUSH." Push in both levers simultaneously and slide the server toward the rack.

The server will slide in approximately 15 inches (38 cm) and stop.

Verify that the cables and the CMA retract without binding before continuing.

- b. The second set of stops are the slide rail release buttons, located near the front of each mounting bracket. See [FIGURE C-6](#). Simultaneously push or pull both of the slide-rail release buttons and push the server completely into the rack until both slide-rail locks engage.

5. Adjust the cable hangers and CMA as required.

# Index

---

## A

- air duct
  - location, 1-6, 4-5
  - replacing, 4-20
- altitude specifications, A-3

## B

- battery
  - location, 1-6, 4-5
  - replacing, 4-33
- BIOS firmware
  - CD, 1-4
  - updating with ILOM web interface, B-5
  - updating with local DVD drive, B-2, B-3
  - updating with TFTP using CLI, B-4
- blower module
  - location, 1-6, 4-5
  - replacing, 4-26
- BMC firmware
  - CD, 1-4

## C

- cable connections, 4-45
- cable management assembly, C-9
- cables
  - motherboard connections, 4-45
  - replacing, 4-45
- CMA assembly, C-9
- CMOS, clearing, 1-9
- components
  - orderable, 1-9
  - replacing, 4-6

- cover removal, 4-3
- CPUs
  - features, 1-2
  - installing new, 4-41
  - location, 1-6, 4-5
  - replacing, 4-36
- customer orderable components, 1-9
- customer replaceable unit procedures
  - field replaceable unit procedures, 4-6

## D

- depth of system, A-1
- diagnostic partition
  - accessing
    - Red Hat Linux, 3-13
    - Solaris 10, 3-15
    - Windows XP, 3-16
  - adding, 3-12
  - log file, 3-12
  - removing, 3-10
- diagnostics
  - advanced diagnostics option, 3-4
  - deferred burn-in testing option, 3-9
  - hard disk testing, 3-6
  - immediate burn-in testing option, 3-7
  - main menu options, 3-2
  - Pc-Check information, 3-18
  - print results reports option, 3-18
  - running from PXE server, B-7
  - show results summary option, 3-16
  - shut down option, 3-18
  - system information menu options, 3-3
  - Tools & Drivers CD, B-1

- diagnostics CD, 1-4
- DIMMs, see memory modules
- driver updates, -xi
- dual blower module
  - replacing, 4-26
- DVD drive
  - location, 1-5
  - replacing, 4-18
  - troubleshooting, 2-5

## E

- environmental specifications, A-3
- ESD precautions, 4-2
- Ethernet connectors, location, 1-5
- external device, troubleshooting, 2-6

## F

- fans
  - blower module replacement, 4-26
  - single fan module replacement, 4-25
- fault LED, 1-5
- features, 1-2
- firmware update
  - CD, 1-4
- firmware updates, -xi
- front panel, 1-4

## H

- hard disk drive
  - location, 1-5, 1-6, 4-5
  - replacing, 4-13
  - troubleshooting, 2-5
- HDD, see hard disk drive
- height of system, A-1
- hung server, troubleshooting, 2-5

## I

- I/O board
  - location, 1-6, 4-5
  - replacing, 4-7
- input current, A-2
- input frequency, A-2
- input voltage range, A-2
- installation
  - ESD precautions, 4-2

- postinstallation instructions, 4-3
- precautions, 4-2
- preinstallation instructions, 4-2
- installing to a rack, C-1
- Integrated Lights Out Manager, 1-4
- Intel PROSET driver software
  - CD, 1-4
  - installing, B-11
- internal components, 1-6, 4-5

## J

- Java Enterprise System, 1-3

## K

- keyboard, troubleshooting, 2-5

## M

- main power, applying, 1-8
- maintenance procedures
  - ESD precautions, 4-2
  - postinstallation precautions, 4-3
  - preinstallation instructions, 4-2
- memory
  - specifications, 1-2
  - troubleshooting, 2-6
- memory modules
  - population rules, 4-28
  - replacing, 4-28
  - slot locations, 1-6, 4-5
- motherboard
  - cable connections, 4-45
- mouse, troubleshooting, 2-5

## N

- network I/O, 1-2
- network status indicator, troubleshooting, 2-4

## O

- operating system software, 1-3
- operating system software supported, 1-3

## P

- PCI-Express card
  - replacing, 4-9
- PCI-Express slots, 1-5
  - location, 1-6, 4-5

- physical specifications, A-1
- postinstallation instructions, 4-3
- Power button, 1-5
- power connector, 1-5
- power LED, 1-5
- power problems
  - troubleshooting, 2-4, 2-5
- power specifications, A-2
- power supply
  - location, 1-6, 4-5
  - replacing, 4-22
- powering off server, 1-8
  - for service, 4-3
  - troubleshooting, 2-4
- powering on server
  - main power, 1-8
  - standby power, 1-7
  - troubleshooting, 2-4
- precautions for installation, 4-2
- preinstallation instructions, 4-2
- product updates, -xi
- PXE server
  - accessing Tools & Drivers CD, B-10
  - diagnostics, B-7
  - setting up Tools & Drivers CD, B-7

## R

- rack installation, C-1
- rear panel connectors, 1-5
- rear panel LEDs, 1-5
- Red Hat Enterprise Linux
  - accessing software, 1-3
  - supported versions, 1-3
- removing cover, 4-3
- replacing
  - air duct, 4-20
  - battery, 4-33
  - cables, 4-45
  - CPUs, 4-36
  - dual blower module, 4-26
  - DVD drive, 4-18
  - hard disk drive, 4-13
  - I/O board, 4-7
  - memory modules
  - PCI-Express card, 4-9
  - power supply, 4-22

- single fan modules, 4-25

## S

- serial connector
  - features, 1-2
  - location, 1-5
- serial connector pin assignments, A-4
- serial management port, 1-5
- service support phone number, 2-7
- shock specifications, A-3
- single fan modules
  - location, 1-6, 4-5
  - replacing, 4-25
- slide-rail installation, C-2
- software
  - preinstalled, 1-3
  - supported operating systems, 1-3
- Solaris 10 operating system, 1-3
- specifications
  - environmental, A-3
  - physical, A-1
  - power, A-2
- standby power, applying, 1-7
- SunSolve web site, 2-7
- Supplemental CD, 1-4
- support contacts, 2-7
- SUSE Linux Enterprise Server
  - accessing software, 1-3
  - supported versions, 1-3
- system identification button, 1-5
- system identification LED, 1-5
- system management, 1-4

## T

- technical assistance contacts, 2-7
- temperature derating, A-3
- temperature specifications, A-3
- Tools & Drivers CD
  - accessing from PXE server, B-10
  - contents, B-1
  - diagnostics software, B-1
  - driver installation scripts, B-1
  - Intel PROSET driver software, B-11
  - setting up on PXE server, B-7
  - updating BIOS, B-2, B-4

- Tools and Drivers CD
  - description, 1-4
- tools for maintenance procedures, 4-1
- troubleshooting, 2-2 to 2-7
  - CD or DVD, 2-5
  - external device, 2-6
  - hard disk drive, 2-5
  - hung or frozen server, 2-5
  - keyboard, 2-5
  - memory, 2-6
  - mouse, 2-5
  - network status indicator, 2-4
  - overview, 2-2
  - power problems, 2-4, 2-5
  - procedures, 2-4 to 2-6
  - USB device, 2-4
  - video problems, 2-6

## **U**

- USB connectors
  - features, 1-2
  - location, 1-5
  - troubleshooting, 2-4

## **V**

- vibration specifications, A-3
- video problems, troubleshooting, 2-6
- visual inspection
  - external, 2-3
  - internal, 2-3

## **W**

- warranty information, 2-7
- weight of system, A-1
- width of system, A-1
- Windows RIS CD, 1-4
- Windows Server 2003, supported versions, 1-3